

# MOBOLE VERTICAL LIFTS

## PARTS MANUAL

For GTWY8-2000 / GTWY10-2000 / GTWY12-2000 / GTWY14-2000/ GTWY16-2000



### WARNING

THE MANUFACTURER SHALL NOT BE HELD LIABLE IN CASE OF FAULTS OR ACCIDENTS DUE TO NEGLIGENCE, INCAPACITY, INSTALLATION BY UNQUALIFIED TECHNICIANS AND IMPROPER USE OF THE MACHINE

DO NOT OPERATE THIS MACHINE UNTIL YOU READ AND UNDERSTAND ALL THE DANGERS, WARNINGS AND CAUTIONS IN THIS MANUAL

Part Number: SM0608213





### Version of the Record

<b>Version Number</b>	<b>Create Date</b>
SM0608213_Rev1.0 .....	2008-05
SM0608213_Rev2.0 .....	2009-10
SM0608213_Rev3.0 .....	2011-05
SM0608213_Rev4.0 .....	2012-08
SM0608213_Rev5.0 .....	2015-06



## Table of Contents

### Section1-Chassis

Figure 1-1	Chassis Assembly (AC Model).....	1-1
Figure 1-2	Chassis Assembly (DC Model).....	1-4
Figure 1-3	Handle Assembly.....	1-7
Figure 1-4	Front-wheel Assembly.....	1-8
Figure 1-5	Outrigger Assembly.....	1-9
Figure 1-6	Supporting Leg.....	1-11
Figure 1-7	Battery Box Assembly (DC Model).....	1-13

### Section2-Mast

Figure 2-1	Mast and Chassis Installation.....	2-1
Figure 2-2	Ground Control Box Assembly (AC Model).....	2-4
Figure 2-3	Mast Assembly 1 (GTWY8-2000).....	2-6
Figure 2-4	Mast Assembly 1 (GTWY10-2000).....	2-9
Figure 2-5	Mast Assembly 1 (GTWY12/14/16-2000).....	2-12
Figure 2-6	Mast Assembly 2 (GTWY8-2000).....	2-15
Figure 2-7	Mast Assembly 2 (GTWY10-2000).....	2-17
Figure 2-8	Mast Assembly 2 (GTWY12/14/16-2000).....	2-19
Figure 2-9	Trolley Seat Assembly.....	2-21
Figure 2-10	Lifting Chain Assembly (GTWY8-2000).....	2-22
Figure 2-11	Lifting Chain Assembly (GTWY10-2000).....	2-24
Figure 2-12	Lifting Chain Assembly (GTWY12/14/16-2000).....	2-26
Figure 2-13	3-3 Mast Chain Wheel Assembly.....	2-29
Figure 2-14	2-2 Mast Chain Wheel Assembly.....	2-30
Figure 2-15	4-4 Mast Chain Wheel Assembly.....	2-31
Figure 2-16	5-5 Mast Chain Wheel Assembly (GTWY10/12/14/16-2000).....	2-32
Figure 2-17	4-4 Mast Chain Wheel Assembly (GTWY12/14/16-2000).....	2-33

### Section3 Platform

Figure 3-1	Platform and Mast Installation.....	3-1
Figure 3-2	Platform Assembly.....	3-4

### Section4 Hydraulic System

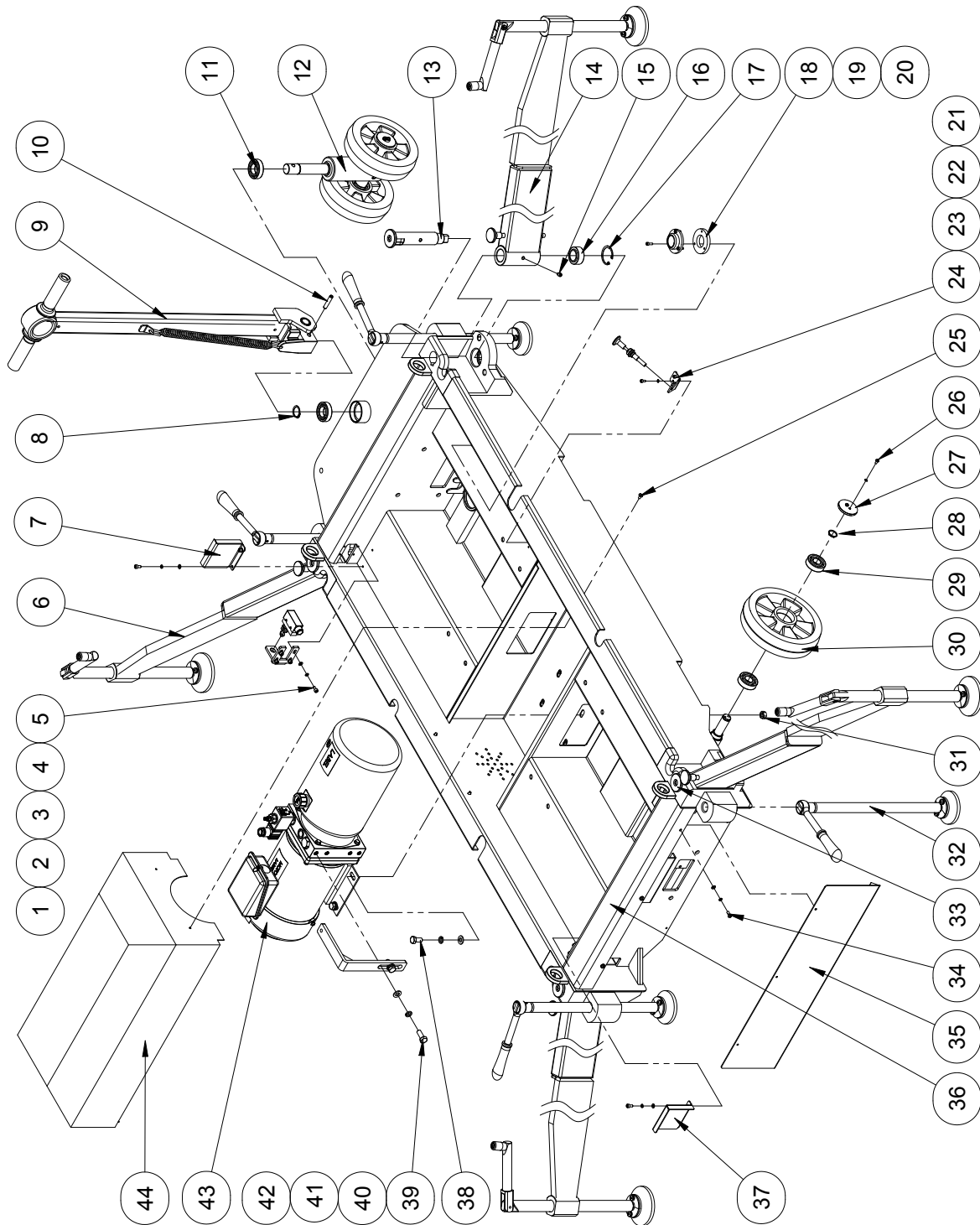
Figure 4-1	Lift Cylinder Assembly.....	4-1
Figure 4-2	Hydraulic Hoses and Fittings.....	4-4



# Chassis

# Section 1

Figure 1-1 Chassis Assembly (AC Model)



F



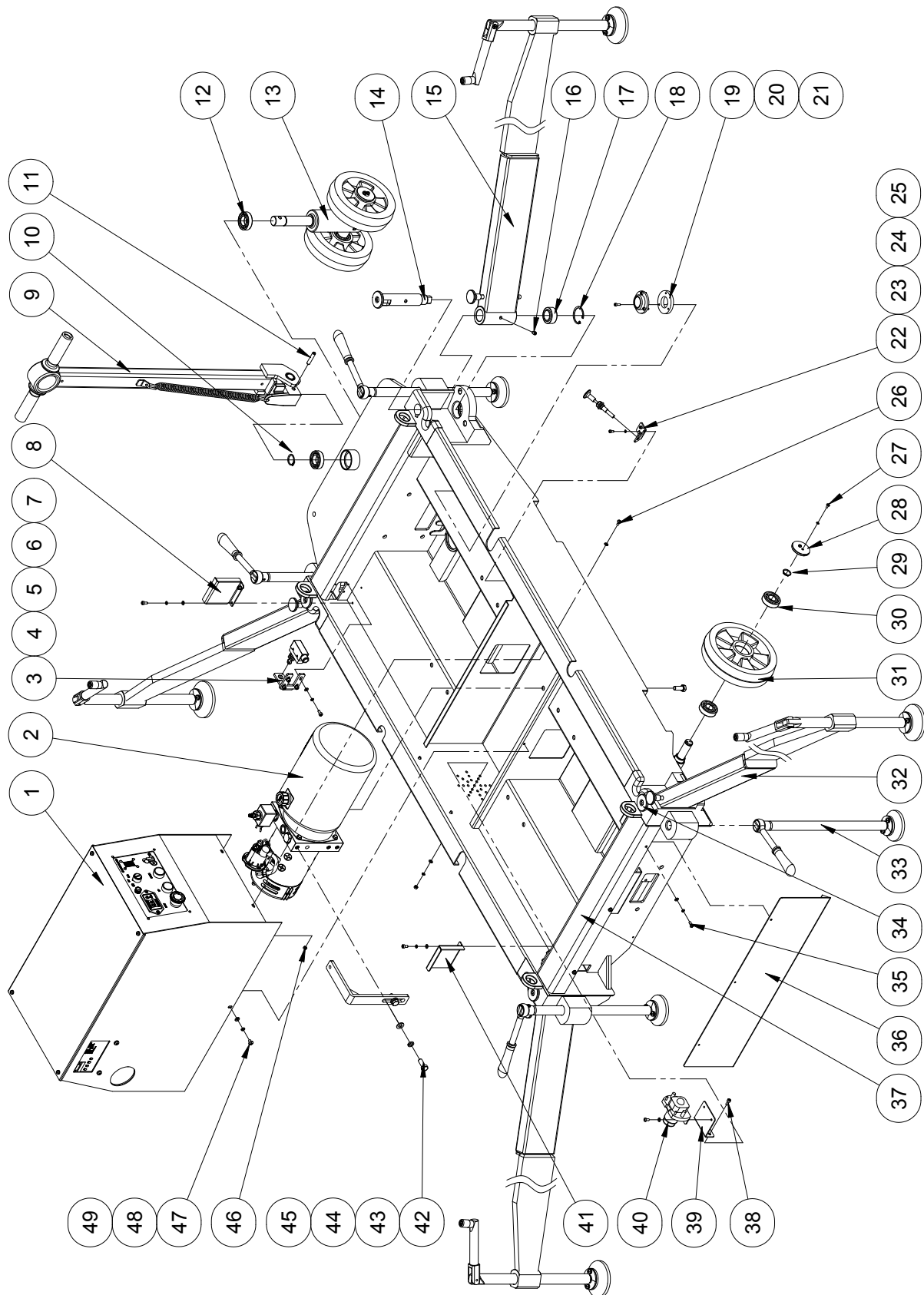
**Figure 1-1 Chassis Assembly (AC Model)**

Item	Part Number	Description	Qty.	Remark
1	6909-0757004-01	Limit switch	4	
2	GTWY10-1000-100001	Switch fixing plate 2	4	
3	GB/T 97.1-2002	Washer 5	29	
4	GB/T 93-1987	Spring washer 5	29	
5	GB/T 70.1-2000	Screw M5×10	24	
6	GTWY10-2000-810100a	Outrigger assembly (Refer to 1-5)	2	GTWY8/10-2000
	GTWY12-2000-810100a		2	GTWY12/14/16-2000
7	GTWY10-1000-100020a	Limit switch cover	2	
8	GB/T 894.1-1986	Circlips for shaft 25	1	
9	GTWY10-2000-820900	Handle assembly (Refer to 1-3)	1	
10	GB/T 879.1-2000	Pin 8×40	1	
11	GB/T 276-1994	Bearing 6005	2	
12	GTWY10-2000-820800	Front-wheel assembly (Refer to 1-4)	1	
13	GTWY10-1000-100010	Pin	2	
14	GTWY10-2000-810100	Outrigger assembly (Refer to 1-5)	2	GTWY8/10-2000
	GTWY12-2000-810100		2	GTWY12/14/16-2000
15	GB/T 79-2000	Screw M8×12	4	
16	GB/T 9163-2001	Bearing GE-25UK	4	
17	GB/T 893.1-1986	Circlips for holes 42	4	
18	JCPT5007M-00001	Bubble level mat	1	
19	JCPT5007M-00002	Bubble level	1	
20	GB/T 70.1-2000	Screw M4×12	3	
21	GTWY10-1000-100003	Emergency down rigging	1	
22	GTWY8-110002	Seat plate	1	
23	GB/T 93-1987	Spring washer 4	6	
24	GB/T 70.1-2000	Screw M4×8	2	
25	GB/T 818-2000	Screw M5×8-H	4	

**Figure 1-1 Chassis Assembly (AC Model)**

Item	Part Number	Description	Qty.	Remark
26	GB/T 818-2000	Screw M4×8-H	4	
27	GTWY8-110004	Cover	4	
28	GB/T 894.1-1986	Circlips for shaft 20	2	
29	GB/T 276-1994	Bearing 6204	4	
30	GTWY8S-110001	Rear wheel	2	
31	GB/T 6170-2000	Nut M10	4	
32	GTWY14-2000-100200	Supporting leg (Refer to 1-6)	4	GTWY14/16-2000
33	GTWY10-1000-100010a	Pin	2	
34	GB/T 818-2000	Screw M5×12-H	5	
35	GTWY8S-110002	Plate	1	
36	GTWY10-2000-110100	Chassis weldment	1	GTWY8/10-2000
	GTWY12-2000-110100		1	GTWY12-2000
	GTWY14-2000-110100		1	GTWY14/16-2000
37	GTWY10-1000-100020	Limit switch cover	2	
38	GB/T 5783-2000	Bolt M10×20	4	
39	GB/T 5783-2000	Bolt M10×25	2	
40	GB/T 93-1987	Spring washer 10	6	
41	GB/T 97.1-2002	Washer 10	6	
42	GTWY8D-110001	Bracket	1	
43	5807-6152350-01	Hydraulic Power Unit	1	
44	GTWY8S-110003	Cover	1	

Figure 1-2 Chassis Assembly (DC Model)



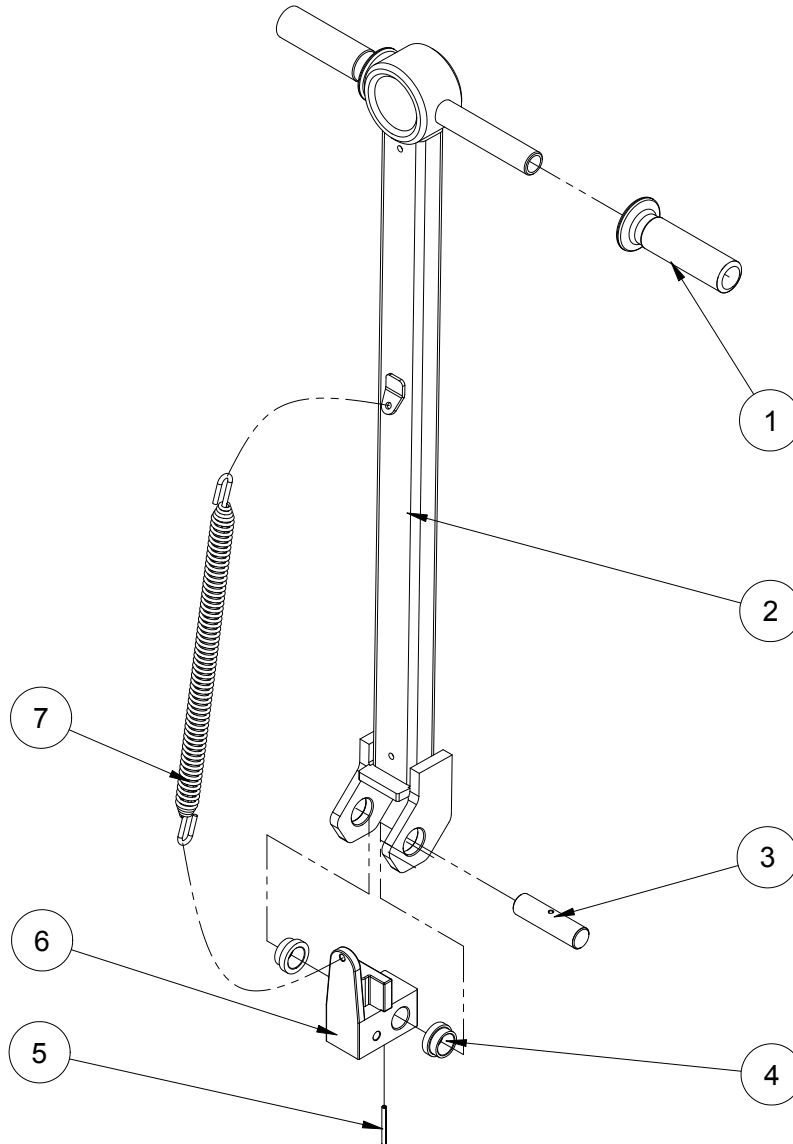
**Figure 1-2 Chassis Assembly (DC Model)**

Item	Part Number	Description	Qty.	Remark
1	GTWY10-2000-121100	Battery box assembly (Refer to 1-7)	1	
2	5807-1251550-01	Hydraulic power unit	1	
3	6909-0757004-01	Limit switch	4	
4	GTWY10-1000-100001	Switch fixing plate 2	4	
5	GB/T 97.1-2002	Washer 5	37	
6	GB/T 93-1987	Spring washer 5	31	
7	GB/T 70.1-2000	Screw M5×10	24	
8	GTWY10-1000-100020a	Limit switch cover	2	
9	GTWY10-2000-820900	Handle assembly (Refer to 1-3)	1	
10	GB/T 894.1-1986	Circlips for shaft 25	1	
11	GB/T 879.1-2000	Pin 8×40	1	
12	GB/T 276-1994	Bearing 6005	2	
13	GTWY10-2000-820800	Front-wheel assembly (Refer to 1-4)	1	
14	GTWY10-1000-100010	Pin	2	
15	GTWY10-2000-810100	Outrigger assembly (Refer to 1-5)	2	GTWY8/10-2000
	GTWY12-2000-810100		2	GTWY12/14/16-2000
16	GB/T 79-2000	Screw M8×12	4	
17	GB/T 9163-2001	Bearing GE-25UK	4	
18	GB/T 893.1-1986	Circlips for holes 42	4	
19	JCPT5007M-00001	Bubble level mat	1	
20	JCPT5007M-00002	Bubble level	1	
21	GB/T 70.1-2000	Screw M4×12	3	
22	GTWY10-1000-100003	Emergency down rigging	1	
23	GTWY8-110002	Seat plate	1	
24	GB/T 93-1987	Spring washer 4	6	
25	GB/T 70.1-2000	Screw M4×8	2	
26	GB/T 818-2000	Screw M5×10-H	6	

**Figure 1-2 Chassis Assembly (DC Model)**

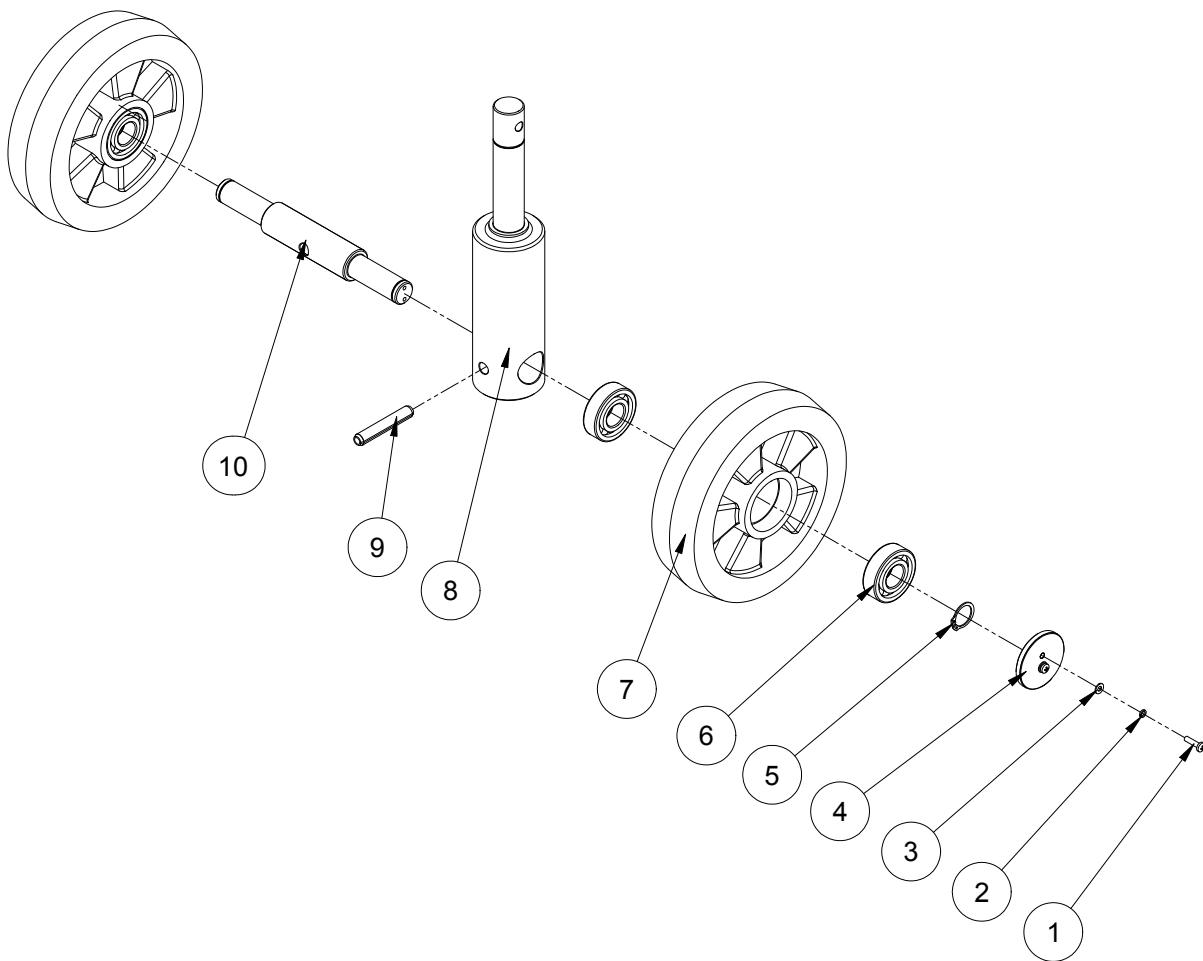
Item	Part Number	Description	Qty.	Remark
27	GB/T 818-2000	Screw M4×8-H	4	
28	GTWY8-110004	Cover	4	
29	GB/T 894.1-1986	Circlips for shaft 20	2	
30	GB/T 276-1994	Bearing 6204	4	
31	GTWY8S-110001	Rear wheel	2	
32	GTWY10-2000-810100a	Outrigger assembly (Refer to 1-5)	2	GTWY8/10-2000
	GTWY12-2000-810100a		2	GTWY12/14/16-2000
33	GTWY14-2000-100200	Supporting leg (Refer to 1-6)	4	GTWY14/16-2000
34	GTWY10-1000-100010a	Pin	2	
35	GB/T 818-2000	Screw M5×12-H	5	
36	GTWY8S-110002	Plate	1	
37	GTWY10-2000-111100	Chassis weldment	1	GTWY8/10-2000
	GTWY12-2000-111100		1	GTWY12-2000
	GTWY14-2000-111100		1	GTWY14/16-2000
38	GB/T 70.1-2000	Screw M5×12	2	
39	GTWY8SD-110001	Bracket	1	
40	6906-0302200-01	DC contactor	1	
41	GTWY10-1000-100020	Limit switch cover	2	
42	GTWY8D-110001	Bracket	1	
43	GB/T 97.1-2002	Washer 10	2	
44	GB/T 93-1987	Spring washer 10	2	
45	GB/T 5783-2000	Bolt M10×25	2	
46	GB/T 6170-2000	Nut M5	6	
47	GB/T 818-2000	Screw M6×12-H	2	
48	GB/T 93-1987	Spring washer 6	2	
49	GB/T 97.1-2002	Washer 6	2	

**Figure 1-3 Handle Assembly**



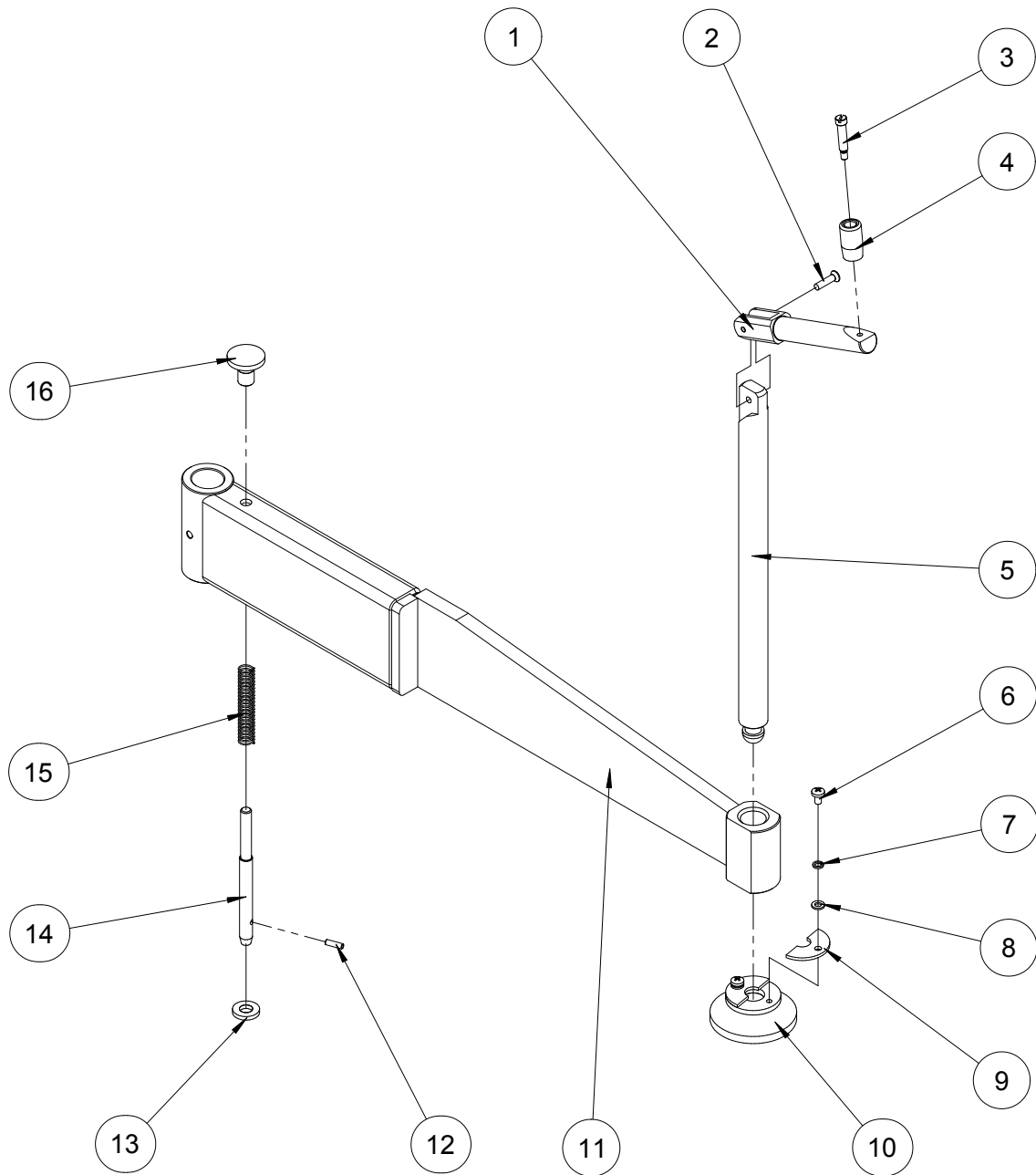
**Figure 1-3 Handle Assembly**

Item	Part Number	Description	Qty.	Remark
1	GTWY8S-820006	Rubber grip	2	
2	GTWY10-2000-820100	Turning handle weldment	1	
3	GTWY8S-820004	Handle shaft	1	
4	GTWY8S-820005	Hook bushing	2	
5	GB/T 879.1-2000	Pin 10×60	1	
6	GTWY8S-820002	Turning seat	1	
7	GTWY8S-820200	Spring assembly	1	

**Figure 1-4 Front-wheel Assembly****Figure 1-4 Front-wheel Assembly**

Item	Part Number	Description	Qty.	Remark
1	GB/T 818-2000	Screw M4×16-H	4	
2	GB/T 93-1987	Spring washer 4	4	
3	GB/T 97.1-2002	Washer 4	4	
4	GTWY8-110004	Cover	2	
5	GB/T 894.1-1986	Circlips for shaft 20	2	
6	GB/T 276-1994	Bearing 6204	4	
7	GTWY8-110003	Rear wheel	2	
8	GTWY8S-820001	Turning shaft	1	
9	GB/T 879.1-2000	Pin 10×60	1	
10	GTWY8S-820003	Axle	1	

Figure 1-5 Outrigger Assembly

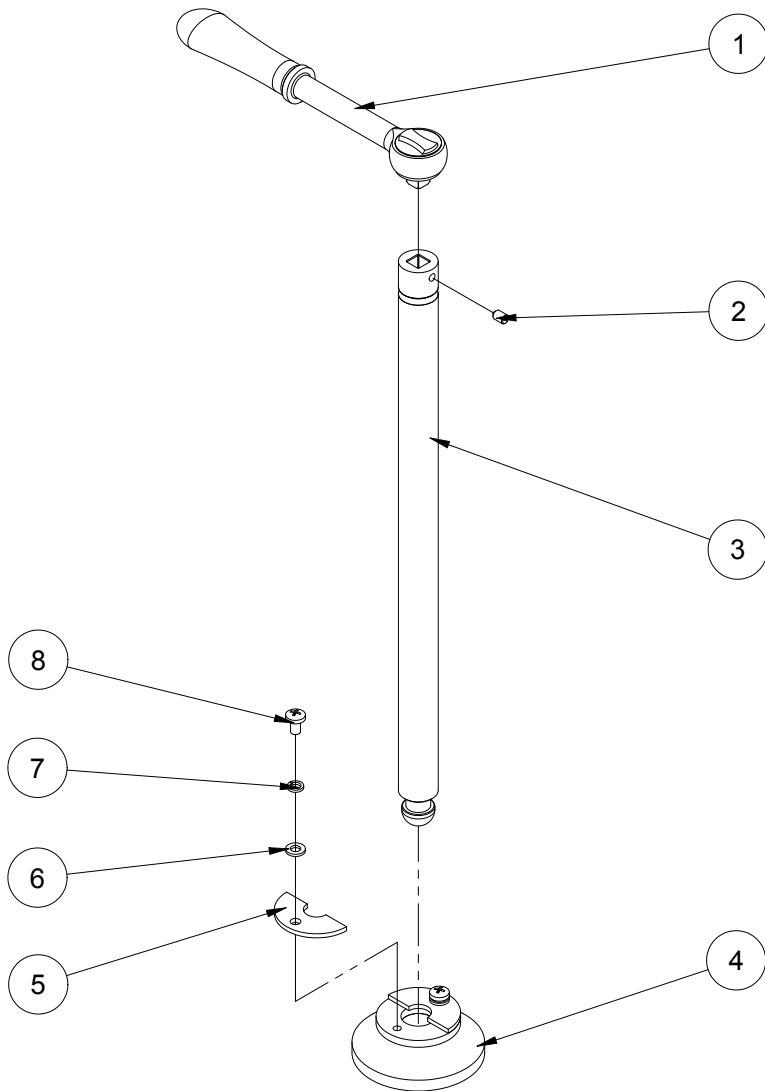




**Figure 1-5 Outrigger Assembly**

Item	Part Number	Description	Qty.	Remark
1	GTWY8-110302	Handle staff	1	
2	GB/T 819.1-2000	Screw M6×25-H	1	
3	GTWY8-110304	Pin	1	
4	GTWY8-110303	Rubber grip	1	
5	GTWY8-110301	Screw	1	GTWY8/10-2000
	GTWY12-2000-810100		1	GTWY12/14/16-2000
6	GB/T 818-2000	Screw M6×10-H	2	
7	GB/T 93-1987	Spring washer 6	2	
8	GB/T 97.1-2002	Washer 6	2	
9	GTWY8-110305	Footpad retainer	2	GTWY8/10-2000
	GTWY12-2000-810102		2	GTWY12/14/16-2000
10	GTWY8-110307	Footpad	1	GTWY8/10-2000
	GTWY12-2000-830103		1	GTWY12/14/16-2000
11	GTWY10-2000-810110	Outrigger tube	1	GTWY10-2000-810100
	GTWY10-2000-810110a		1	GTWY10-2000-810100a
	GTWY12-2000-810110		1	GTWY12-2000-810100
	GTWY12-2000-810110a		1	GTWY12-2000-810100a
12	GTWY8-110311	Pin	1	
13	GTWY8-110306	Washer	1	
14	GTWY8-110309	Staff	1	
15	GTWY8-110310	Spring	1	
16	GTWY8-110308	Handle	1	

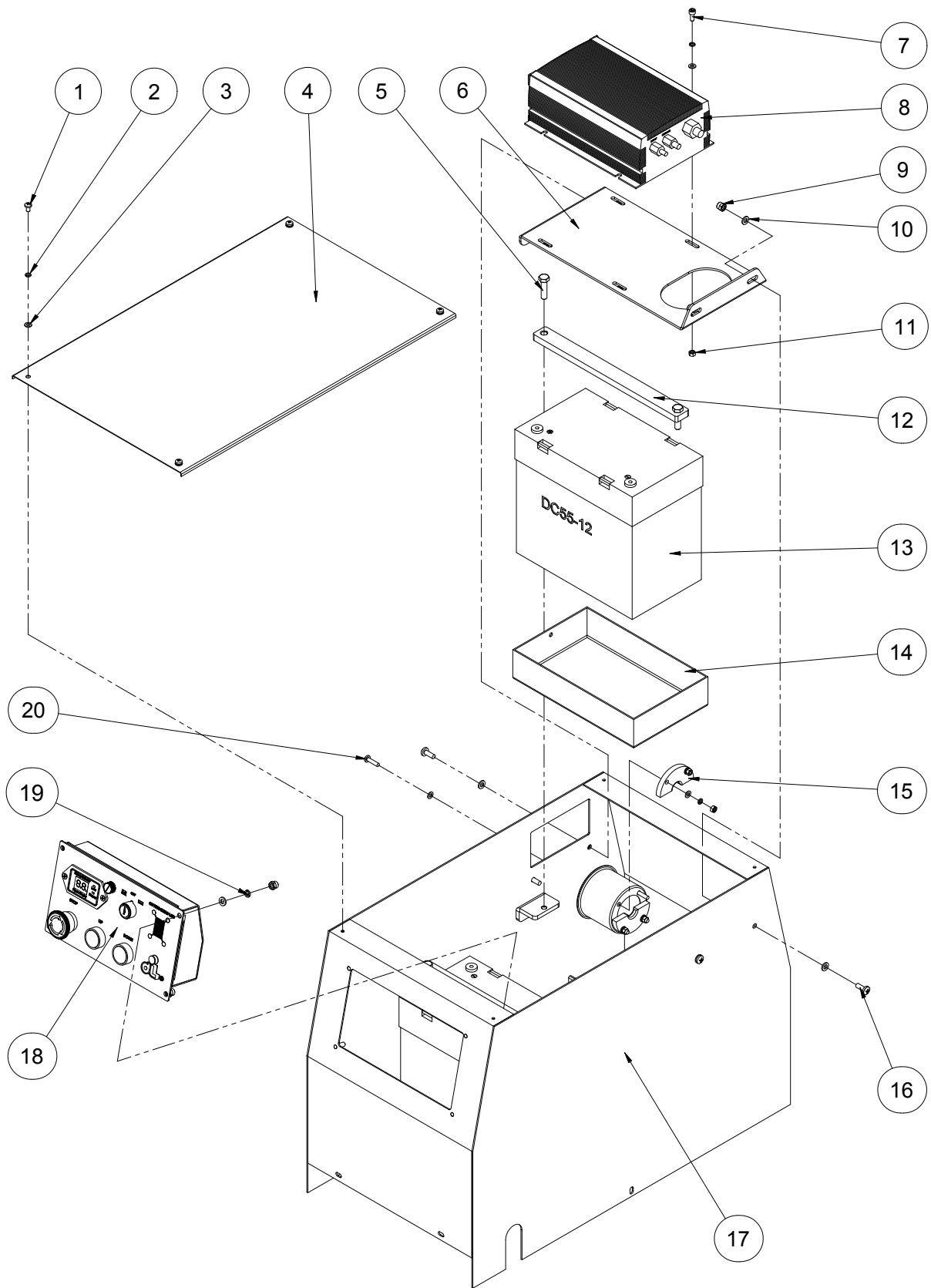
**Figure 1-6 Supporting Leg**



**Figure 1-6 Supporting Leg**

Item	Part Number	Description	Qty.	Remark
1	GTWY12S-110600	Wrench	1	
2	GB/T 71-1985	Screw M6×10	1	
3	GTWY14-2000-100210	Screw	1	
4	GTWY8-110307	Footpad	1	
5	GTWY8-110305	Footpad retainer	2	
6	GB/T 97.1-2002	Washer 6	2	
7	GB/T 93-1987	Spring washer 6	2	
8	GB/T 818-2000	Screw M6×10-H	2	

Figure 1-7 Battery Box Assembly (DC Model)



**Figure 1-7 Battery Box Assembly (DC Model)**

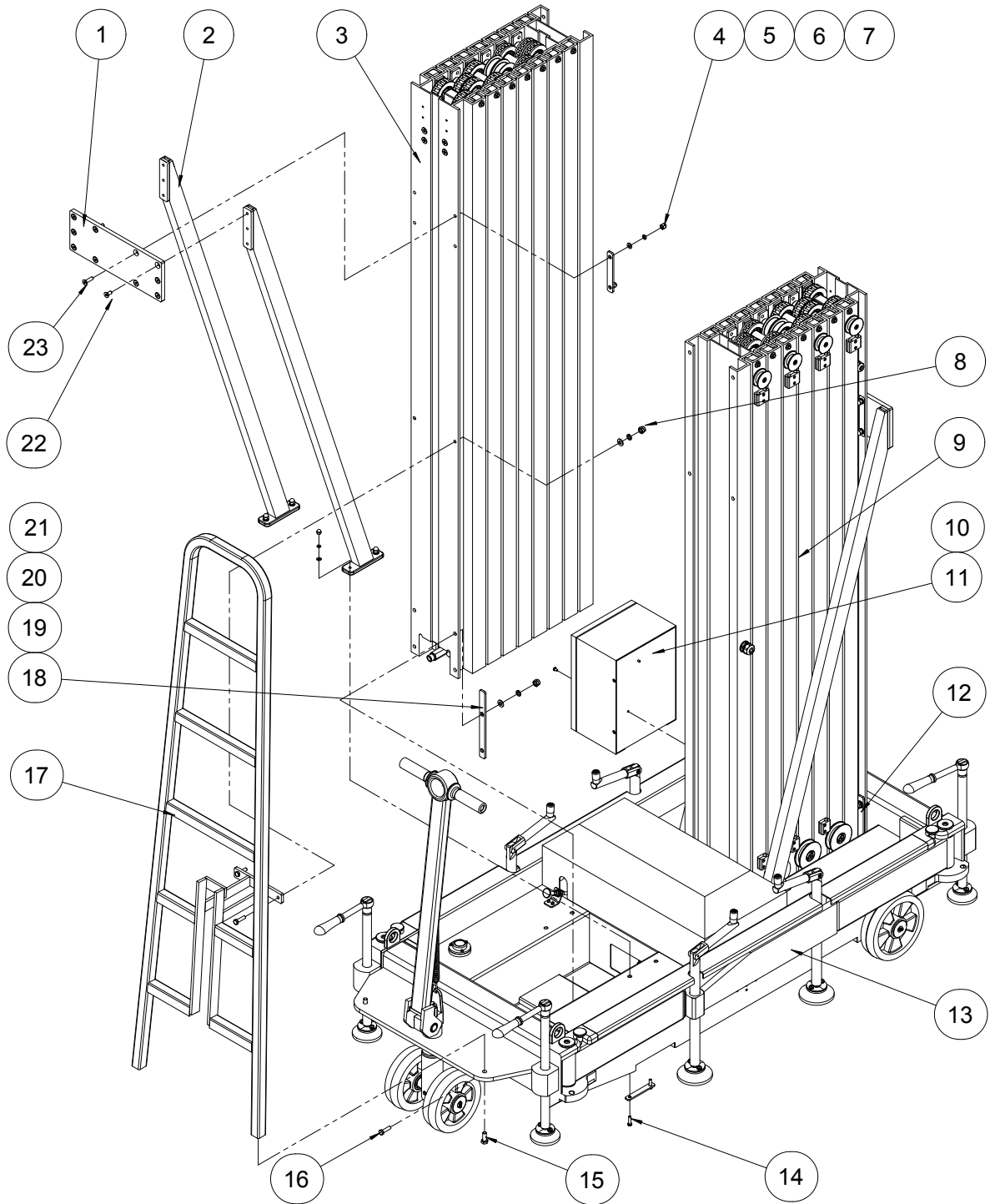
Item	Part Number	Description	Qty.	Remark
1	GB/T 818-2000	Screw M5×8-H	4	
2	GB/T 93-1987	Spring washer 5	12	
3	GB/T 97.1-2002	Washer 5	16	
4	GTWY10-1000-121101	Cover	2	
5	GB/T 5783-2000	Bolt M8×30	4	
6	GTWY10-2000-121102	Charger seat	1	
7	GB/T 70.1-2000	Screw M5×12	4	
8	6901-0141215-01	Charger	1	
9	GB/T 6182-2000	Nut M6	6	
10	GB/T 97.1-2002	Washer 6	10	
11	GB/T 6170-2000	Nut M5	8	
12	AMWP8-1100-100008	Press block	2	
13	6901-0312055-01	Storage battery DC55-12	2	
14	GTWY10-2000-121101	Battery seat	1	
15	JCPT1212HD-121003	Half Disk	2	
16	GB/T 818-2000	Screw M6×16-H	4	
17	GTWY10-2000-121110	Battery box weldment	1	
18	GTWY10-1000-711000	Control box assembly	1	
19	GB/T 93-1987	Spring washer 6	4	
20	GB/T 818-2000	Screw M5×20-H	4	



# Mast

# Section 2

Figure 2-1 Mast and Chassis Installation



**Figure 2-1 Mast and Chassis Installation**

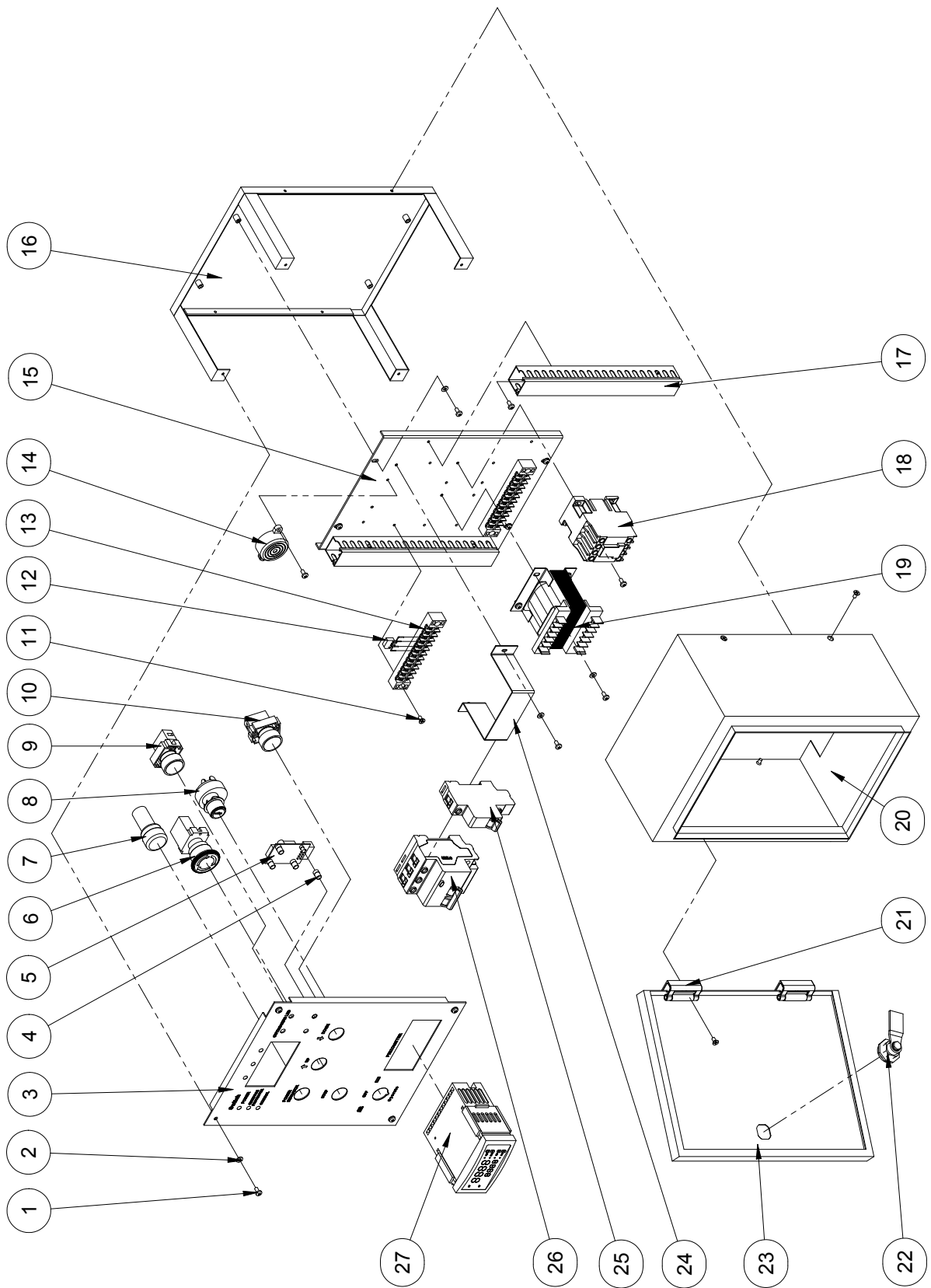
Item	Part Number	Description	Qty.	Remark
1	GTWY8-810002	Plate	2	
2	GTWY8S -810100	Stay bar weldment	4	GTWY8/10-2000
	GTWY10S-810100		4	GTWY12-2000
	GTWY8-810100		4	GTWY14/16-2000
3	GTWY8-2000-320200	Mast assembly 2 (Refer to 2-6)	1	GTWY8-2000
	GTWY10-2000-320200	Mast assembly 2 (Refer to 2-7)	1	GTWY10-2000
	GTWY12-2000-320200	Mast assembly 2 (Refer to 2-8)	1	GTWY12-2000
	GTWY14-2000-320200	Mast assembly 2 (Refer to 2-8)	1	GTWY14-2000
	GTWY16-2000-320200	Mast assembly 2 (Refer to 2-8)	1	GTWY16-2000
4	GTWY8-810001	Plate (1)	8	
5	GB/T 97.1-2002	Washer 8	18	
6	GB/T 93-1987	Spring washer 8	18	
7	GB/T 802-1988	Nut M8	16	
8	GB/T 6170-2000	Nut M8	2	
9	GTWY8-2000-320100	Mast assembly 1 (Refer to 2-3)	1	GTWY8-2000AC
	GTWY8-2000-321100		1	GTWY8-2000DC
	GTWY10-2000-320100	Mast assembly 1 (Refer to 2-4)	1	GTWY10-2000 AC
	GTWY10-2000-321100		1	GTWY10-2000 DC
	GTWY12-2000-320100	Mast assembly 1 (Refer to 2-5)	1	GTWY12-2000 AC
	GTWY12-2000-321100		1	GTWY12-2000 DC
	GTWY14-2000-320100	Mast assembly 1 (Refer to 2-5)	1	GTWY14-2000 AC
	GTWY14-2000-321100		1	GTWY14-2000 DC
	GTWY16-2000-320100	Mast assembly 1 (Refer to 2-5)	1	GTWY16-2000 AC
	GTWY16-2000-321100		1	GTWY16-2000 DC

**Figure 2-1 Mast and Chassis Installation**

Item	Part Number	Description	Qty.	Remark
10	GTWY8-710000	Ground control box assembly	1	AC Model
11	GB/T 818-2000	Screw M6×10-H	2	
12	GTWY10-1000-320023	Plate	2	
13	GTWY10-1000-100000	Chassis assembly (Refer to 1-1)	1	GTWY8/10-200 0AC
	GTWY10-1000-101000	Chassis assembly (Refer to 1-2)	1	GTWY8/10-200 0DC
	GTWY12-1000-100000	Chassis assembly (Refer to 1-1)	1	GTWY12-2000 AC
	GTWY12-1000-101000	Chassis assembly (Refer to 1-2)	1	GTWY12-2000 DC
	GTWY14-1000-100000	Chassis assembly (Refer to 1-1)	1	GTWY14/16-20 00AC
	GTWY14-1000-101000	Chassis assembly (Refer to 1-2)	1	GTWY14/16-20 00DC
14	GB/T 5783-2000	Bolt M8×30	10	
15	GB/T 5781-2000	Bolt M10×25	2	
16	GB/T 5783-2000	Bolt M10×35	8	
17	GTWY10-2000-170100	Ladder weldment	1	GTWY8/10/12- 2000
	GTWY14-2000-170100		1	GTWY14-2000
	GTWY16-2000-170100		1	GTWY16-2000
18	GTWY10-2000-320223	Plate	2	
19	GB/T 97.1-2002	Washer 10	8	
20	GB/T 93-1987	Spring washer 10	8	
21	GB/T 6170-2000	Nut M10	8	
22	GB/T 70.3-2000	Screw M8×20	12	
23	GB/T 70.3-2000	Screw M8×30	8	



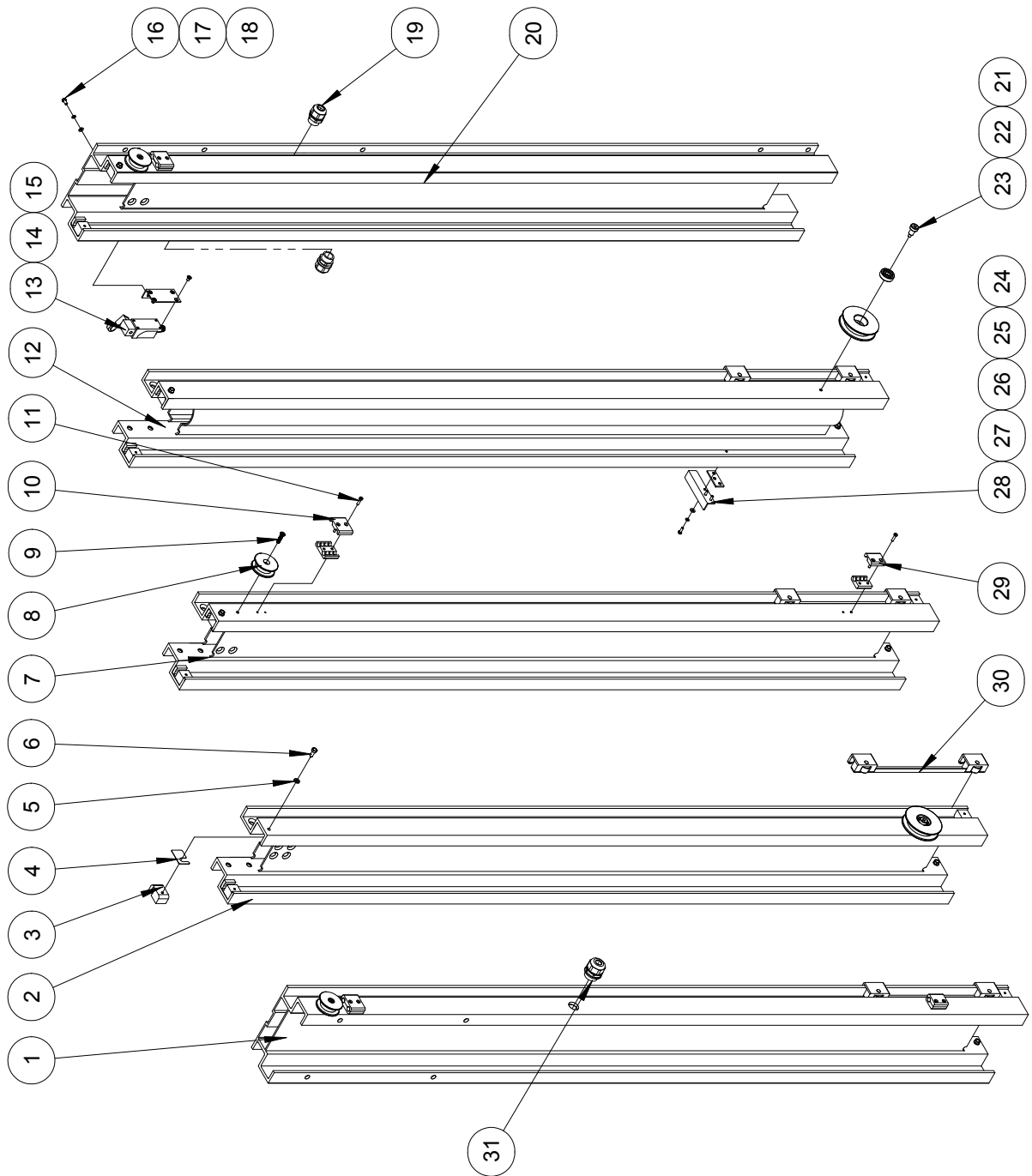
Figure 2-2 Ground Control Box Assembly (AC Model)



**Figure 2-2 Ground Control Box Assembly (AC Model)**

Item	Part Number	Description	Qty.	Remark
1	GB/T 818-2000	Screw M4×8-H	24	
2	GB/T 97.1-2002	Washer 4	14	
3	GTWY8-710003	Panel of control box	1	with piezometer
	GTWY8-710006		1	without piezometer
4	6999-0200001-01	LED cover	4	
5	6904-5090003-01	Outrigger control module	1	
6	6909-0501140-01	Emergency stop switch	1	
7	6914-0300524-01	Indicator lamp	1	
8	6909-0400032-01	Key switch		
9	6909-0201113-01	Button (Green)	1	
10	6909-0201114-01	Button (Red)	1	
11	GB/T 819.1-2000	Screw M4×8-H	12	
12	6907-0300307-01	Bridge rectifiers	1	
13	6912-0111512-01	Terminal board	2	
14	6915-0103000-03	Buzzer	1	
15	GTWY8-710001	Control box plate	1	
16	GTWY8-710101	Bracket of control box	1	
17	6999-1110250-01	Wiring ducts 250	2	
18	6906-0313012-01	AC contactor	1	
19	6906-2003322-01	Transformer	1	
20	GTWY8-710004	Housing of control box	1	
21	GTWY8-710200	Hinge	2	
22	MS705	Lock	1	
23	GTWY8-710005	Lid of control box	1	
24	GTWY8-710002	Breaker plate	1	
25	6906-5010100-01	Circuit breaker 10A	1	
26	6906-5020161-01	Circuit breaker 16A	1	
27	6908-0200262-01	Piezometer	1	Optional

Figure 2-3 Mast Assembly 1 (GTWY8-2000)



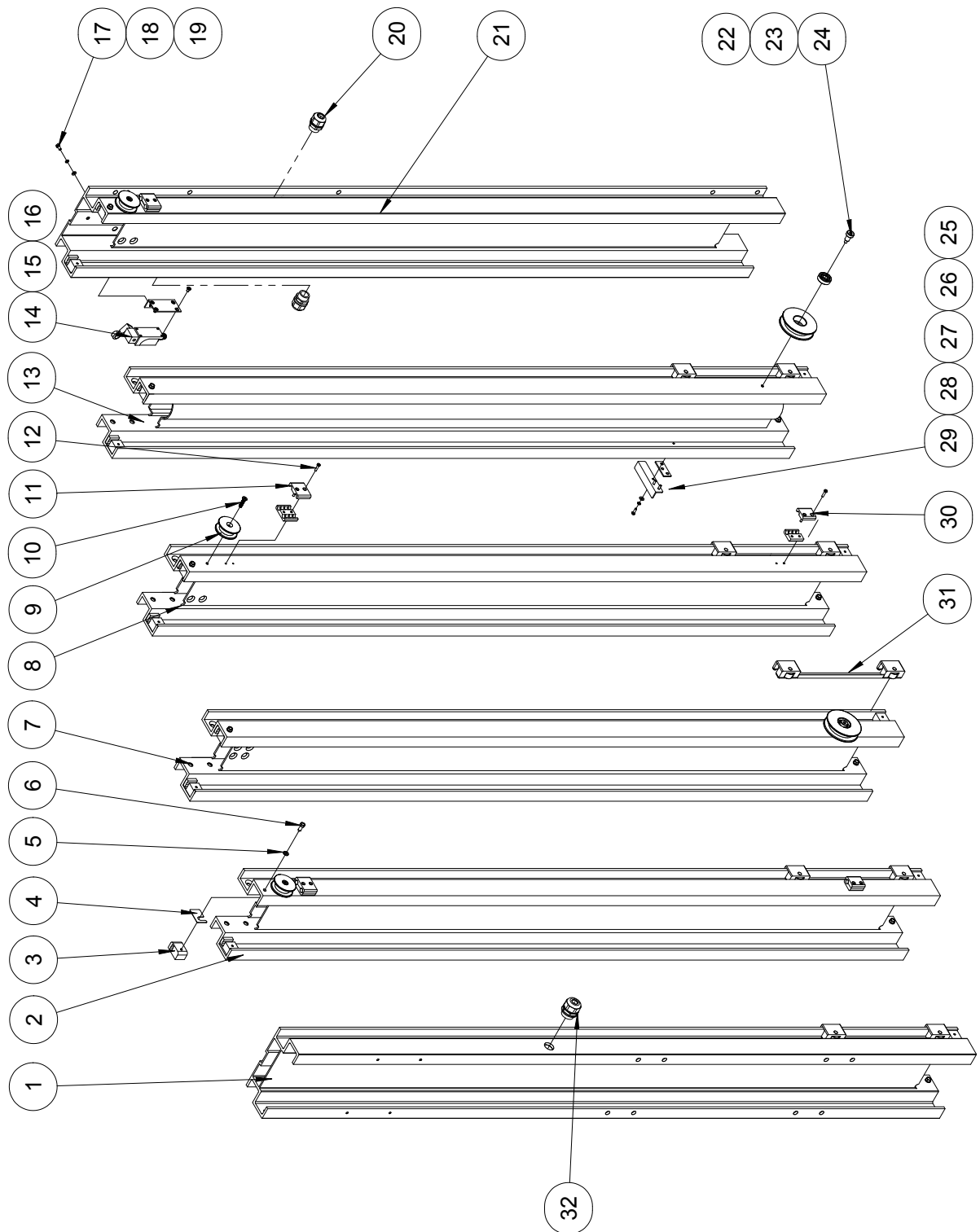
**Figure 2-3 Mast Assembly 1 (GTWY8-2000)**

Item	Part Number	Description	Qty.	Remark
1	GTWY6S-320002	Mast 5	1	
2	GTWY6S-320001	Mast 4	2	
3	GTWY8-320018	Block	16	
4	GTWY8-320020	Piece	16	
5	GB/T 96.1-2002	Washer 6	16	
6	GB/T 5285-1985	Screw ST6.3×19 C	16	
7	GTWY8S-320003	Mast 3	2	
8	GTWY8-320013	Little control cable sheave	2	
9	GB/T 819.1-2000	Screw M6×25-H	3	
10	GTWY8-320009	Wire fixation	6	
11	GB/T 818-2000	Screw M4×16-H	10	
12	GTWY8S-320002	Mast 2	1	
13	6909-0701200-01	Limit switch	1	
14	GTWY8-320012	Limit switch seat	1	
15	GB/T 819.1-2000	Screw M5×12-H	4	
16	GB/T 97.1-2002	Washer 5	2	
17	GB/T 93-1987	Spring washer 5		
18	GB/T 5783-2000	Bolt M5×10	2	
19	6912-0200020-01	Water-proof joint M20x1.5	6	AC Model
			2	DC Model
20	GTWY8S-320001	Mast 1	1	AC Model
	GTWY8SD-320001		1	DC Model
21	GTWY8-320007	Bolt	2	
22	GB/T 276-1994	Bearing 6200	2	
23	GTWY8-320008	Big control cable sheave	2	
24	GTWY8-320011	Limiting plate mat	1	
25	GTWY8-320010	Limiting plate	1	
26	GB/T 97.1-2002	Washer 4	3	
27	GB/T 93-1987	Spring washer 4	3	

**Figure 2-3 Mast Assembly 1 (GTWY8-2000)**

Item	Part Number	Description	Qty.	Remark
28	GB/T 70.1-2000	Screw M4×12	3	
29	GTWY8-320019	Single wire fixation	4	
30	GTWY8-320100	Trolley seat assembly (Refer to 2-9)	8	
31	6912-0200024-01	Water-proof joint M24x1.5	1	

Figure 2-4 Mast Assembly 1 (GTWY10-2000)



**Figure 2-4 Mast Assembly 1 (GTWY10-2000)**

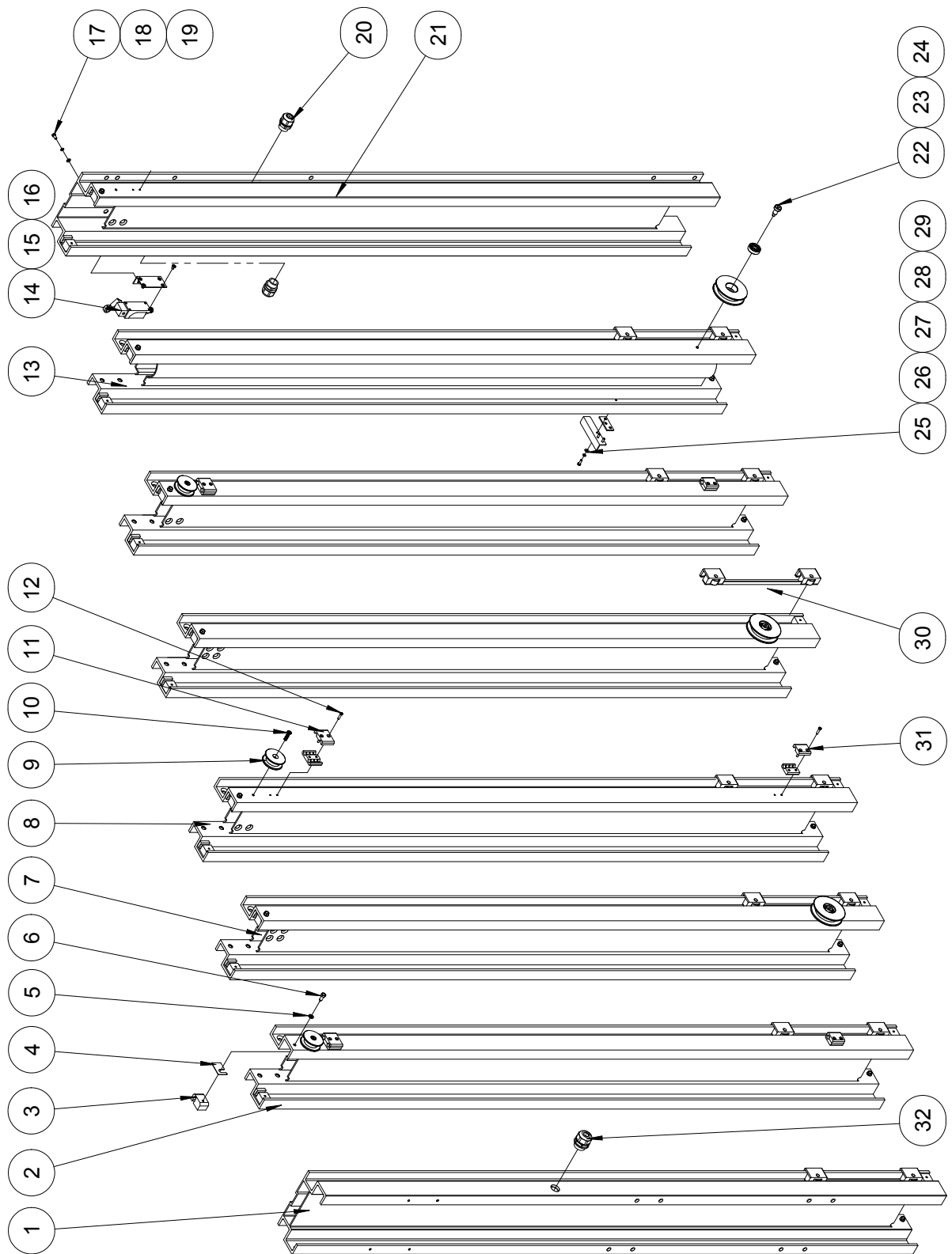
Item	Part Number	Description	Qty.	Remark
1	GTWY8-320006	Mast 6	1	
2	GTWY8S-320005	Mast 5	1	
3	GTWY8-320018	Block	20	
4	GTWY8-320020	Piece	20	
5	GB/T 96.1-2002	Washer 6	20	
6	GB/T 5285-1985	Screw ST6.3×19 C	20	
7	GTWY8S-320004	Mast 4	2	
8	GTWY8S-320003	Mast 3	2	
9	GTWY8-320013	Little control cable sheave	3	
10	GB/T 819.1-2000	Screw M6×25-H	3	
11	GTWY8-320009	Wire fixation	6	
12	GB/T 818-2000	Screw M4×16-H	10	
13	GTWY8S-320002	Mast 2	1	
14	6909-0701200-01	Limit switch	1	
15	GTWY8-320012	Limit switch seat	1	
16	GB/T 819.1-2000	Screw M5×12-H	4	
17	GB/T 97.1-2002	Washer 5	2	
18	GB/T 93-1987	Spring washer 5	2	
19	GB/T 5783-2000	Bolt M5×10	2	
20	6912-0200020-01	Water-proof joint M20x1.5	6	AC Model
			2	DC Model
21	GTWY8S-320001 GTWY8SD-320001	Mast 1	1	AC Model
			1	DC Model
22	GTWY8-320007	Bolt	2	
23	GB/T 276-1994	Bearing 6200	2	
24	GTWY8-320008	Big control cable sheave	2	
25	GTWY8-320011	Limiting plate mat	1	
26	GTWY8-320010	Limiting plate	1	
27	GB/T 97.1-2002	Washer 4	3	

**Figure 2-4 Mast Assembly 1 (GTWY10-2000)**

Item	Part Number	Description	Qty.	Remark
28	GB/T 93-1987	Spring washer 4	3	
29	GB/T 70.1-2000	Screw M4×12	3	
30	GTWY8-320019	Single wire fixation	4	
31	GTWY8-320100	Trolley seat assembly (Refer to 2-9)	10	
32	6912-0200024-01	Water-proof joint M24x1.5	1	



Figure 2-5 Mast Assembly 1 (GTWY12/14/16-2000)



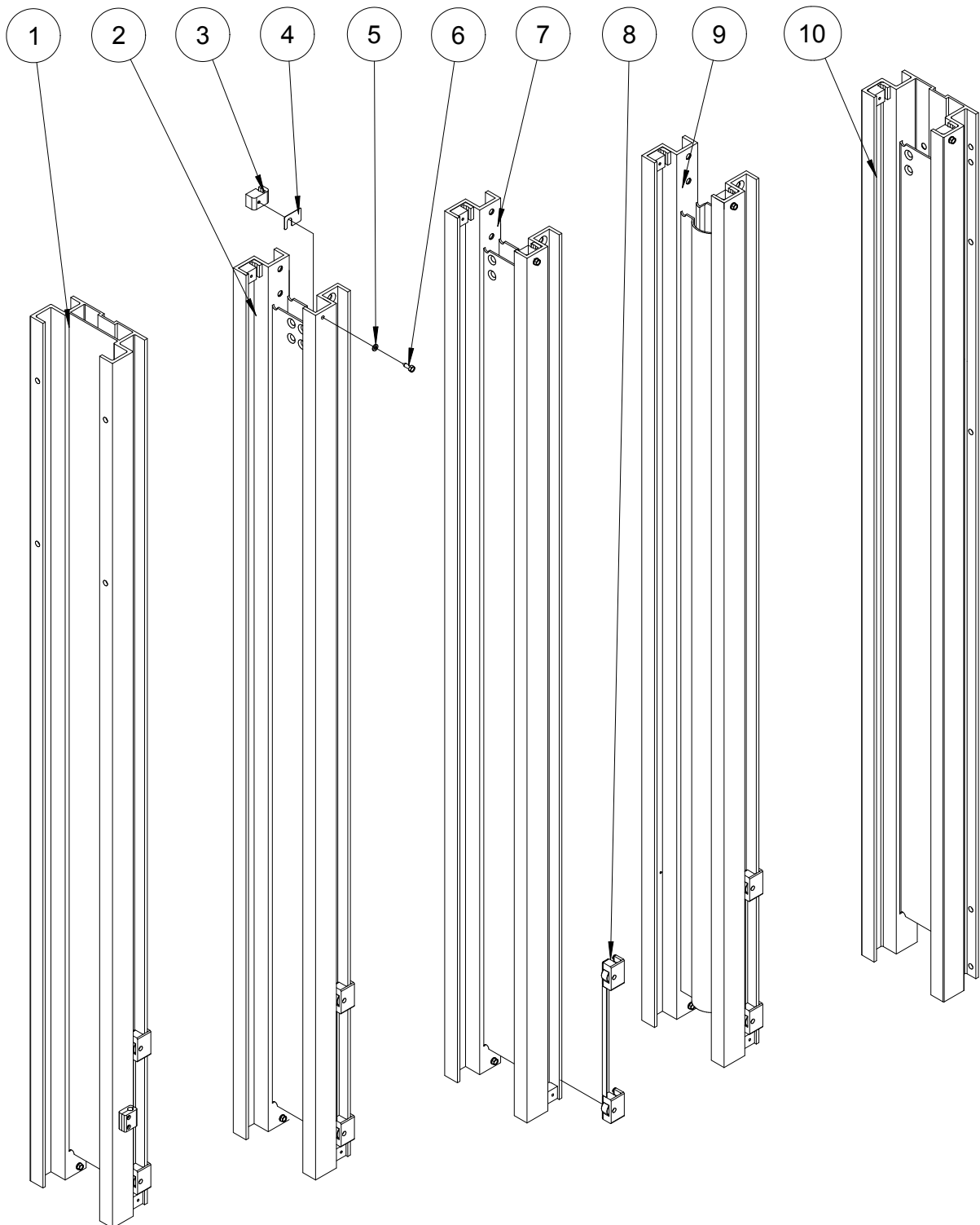
**Figure 2-5 Mast Assembly 1 (GTWY12/14/16-2000)**

Item	Part Number	Description	Qty.	Remark
1	GTWY8S-320006	Mast 6	1	GTWY12-2000
	GTWY12S-320003	Mast 8	1	GTWY14-2000
	GTWY16-2000-320106	Mast 6	1	GTWY16-2000
2	GTWY8S-320005	Mast 5	1	GTWY12-2000
	GTWY8-320005		1	GTWY14-2000
	GTWY16-2000-320105		1	GTWY16-2000
3	GTWY8-320018	Block	28	
4	GTWY8-320020	Piece	28	
5	GB/T 96.1-2002	Washer 6	28	
6	GB/T 5285-1985	Screw ST6.3×19 C	28	
7	GTWY8S-320004	Mast 4	2	GTWY12-2000
	GTWY8-320004		2	GTWY14-2000
	GTWY16-2000-320104		2	GTWY16-2000
8	GTWY8S-320003	Mast 3	2	GTWY12-2000
	GTWY8-320003		2	GTWY14-2000
	GTWY16-2000-320103		2	GTWY16-2000
9	GTWY8-320013	Little control cable sheave	4	
10	GB/T 819.1-2000	Screw M6×25-H	4	
11	GTWY8-320009	Wire fixation	8	
12	GB/T 818-2000	Screw M4×16-H	14	
13	GTWY8S-320002	Mast 2	1	GTWY12-2000
	GTWY12S-320002		1	GTWY14-2000
	GTWY16-2000-320102		1	GTWY16-2000
14	6909-0701200-01	Limit switch	1	
15	GTWY8-320012	Limit switch seat	1	
16	GB/T 819.1-2000	Screw M5×12-H	4	
17	GB/T 97.1-2002	Washer 5	2	
18	GB/T 93-1987	Spring washer 5	2	
19	GB/T 5783-2000	Bolt M5×10	2	

**Figure 2-5 Mast Assembly 1 (GTWY12/14/16-2000)**

Item	Part Number	Description	Qty.	Remark
20	6912-0200020-01	Water-proof joint M20×1.5	6	AC Model
			2	DC Model
21	GTWY10S-320001	Mast 1	1	GTWY12-2000 AC
	GTWY10SD-320001		1	GTWY12-2000 DC
	GTWY12S-320001		1	GTWY14-2000 AC
	GTWY12SD-320001		1	GTWY14-2000 DC
	GTWY16-2000-320101		1	GTWY16-2000 AC
	GTWY16-2000-321101		1	GTWY16-2000 DC
22	GTWY8-320007	Bolt	3	
23	GB/T 276-1994	Bearing 6200	3	
24	GTWY8-320008	Big control cable sheave	3	
25	GTWY8-320011	Limiting plate mat	1	
26	GTWY8-320010	Limiting plate	1	
27	GB/T 97.1-2002	Washer 4	3	
28	GB/T 93-1987	Spring washer 4	3	
29	GB/T 70.1-2000	Screw M4×12	3	
30	GTWY8-320100	Trolley seat assembly (Refer to 2-9)	14	
31	GTWY8-320019	Single wire fixation	6	
32	6912-0200024-01	Water-proof joint M24x1.5	1	

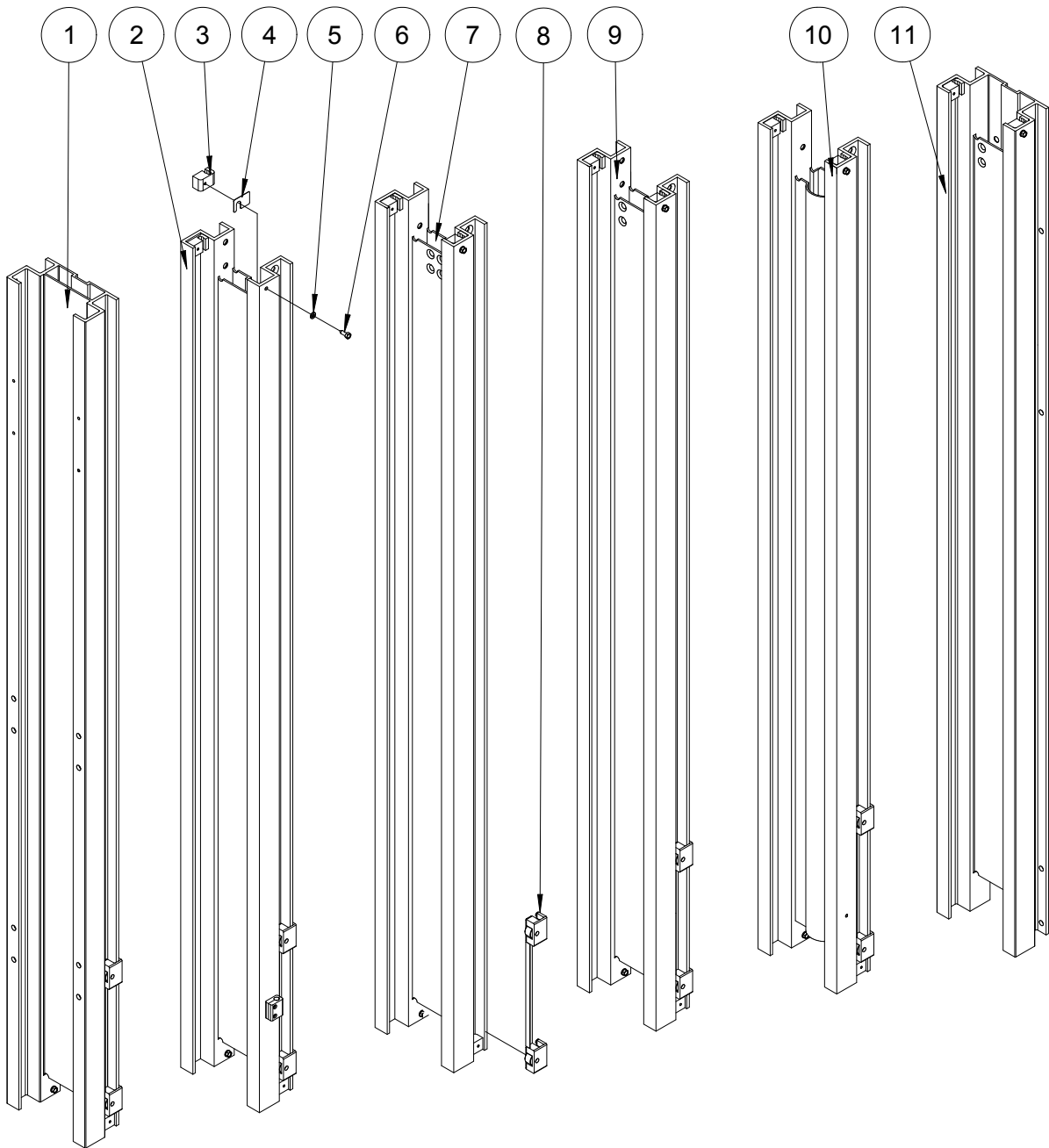
**Figure 2-6 Mast Assembly 2 (GTWY8-2000)**



**Figure 2-6 Mast Assembly 2 (GTWY8-2000)**

Item	Part Number	Description	Qty.	Remark
1	GTWY8S-320006A	Mast 6	1	
2	GTWY6S-320001A	Mast 4	1	
3	GTWY8-320018	Block	16	
4	GTWY8-320020	Piece	16	
5	GB/T 96.1-2002	Washer 6	16	
6	GB/T 5285-1985	Screw ST6.3×19 C	16	
7	GTWY8S-320003A	Mast 3	1	
8	GTWY8-320100	Trolley seat assembly (Refer to 2-9)	8	
9	GTWY8S-320002A	Mast 2	1	
10	GTWY8S-320001A	Mast 1	1	

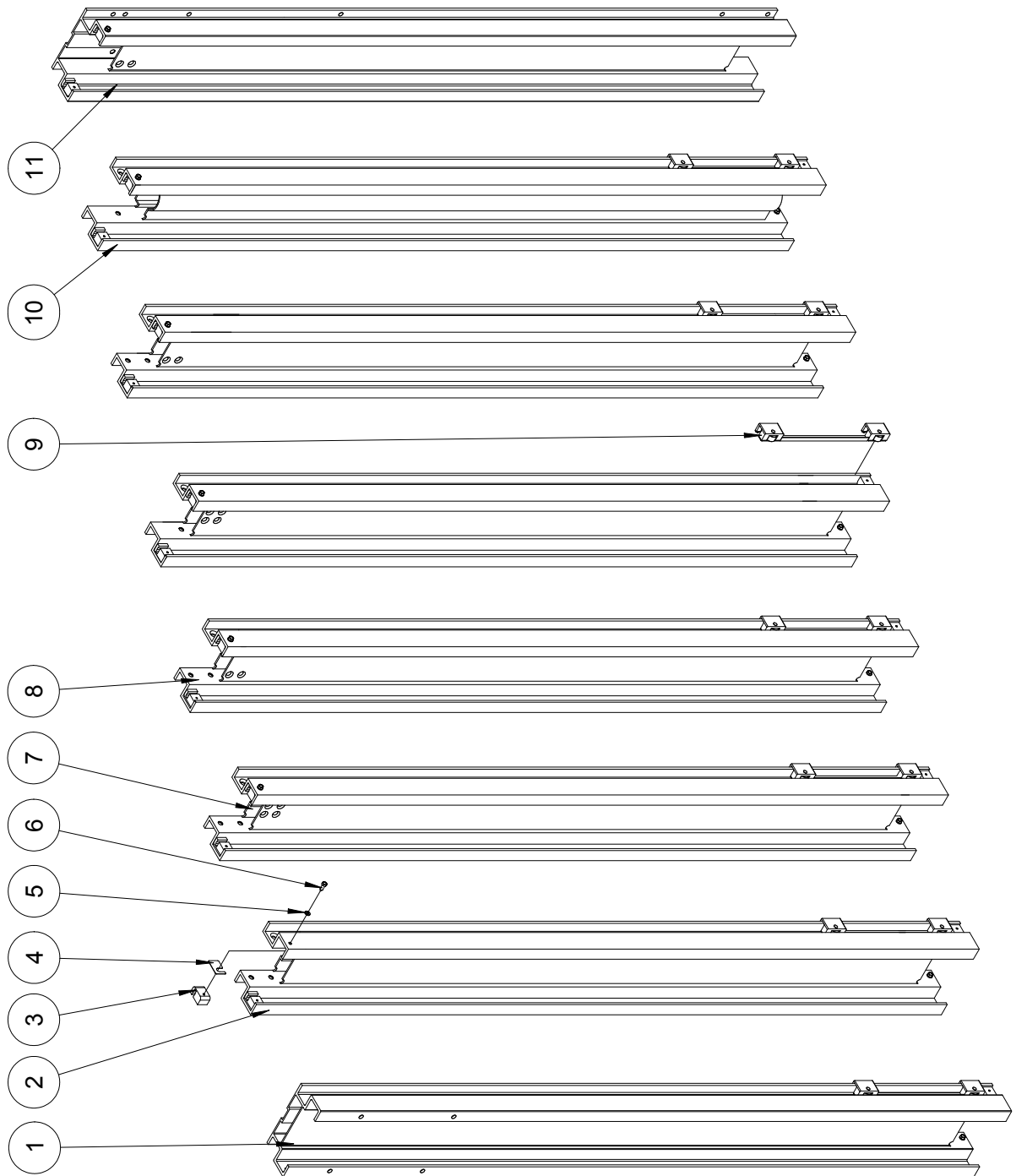
**Figure 2-7 Mast Assembly 2 (GTWY10-2000)**



**Figure 2-7 Mast Assembly 2 (GTWY10-2000)**

Item	Part Number	Description	Qty.	Remark
1	GTWY8S-320006A	Mast 6	1	
2	GTWY8S-320005A	Mast 5	1	
3	GTWY8-320018	Block	20	
4	GTWY8-320020	Piece	20	
5	GB/T 96.1-2002	Washer 6	20	
6	GB/T 5285-1985	Screw ST6.3×19 C	20	
7	GTWY8S-320004A	Mast 4	1	
8	GTWY8-320100	Trolley seat assembly (Refer to 2-9)	10	
9	GTWY8S-320003A	Mast 3	1	
10	GTWY8S-320002A	Mast 2	1	
11	GTWY8S-320001A	Mast 1	1	

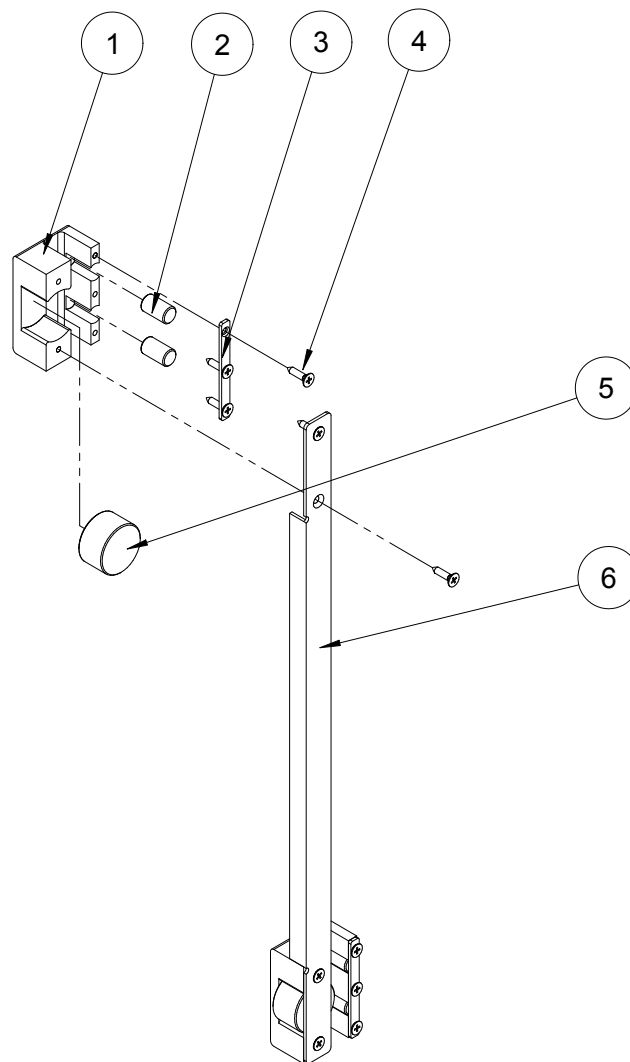
Figure 2-8 Mast Assembly 2 (GTWY12/14/16-2000)





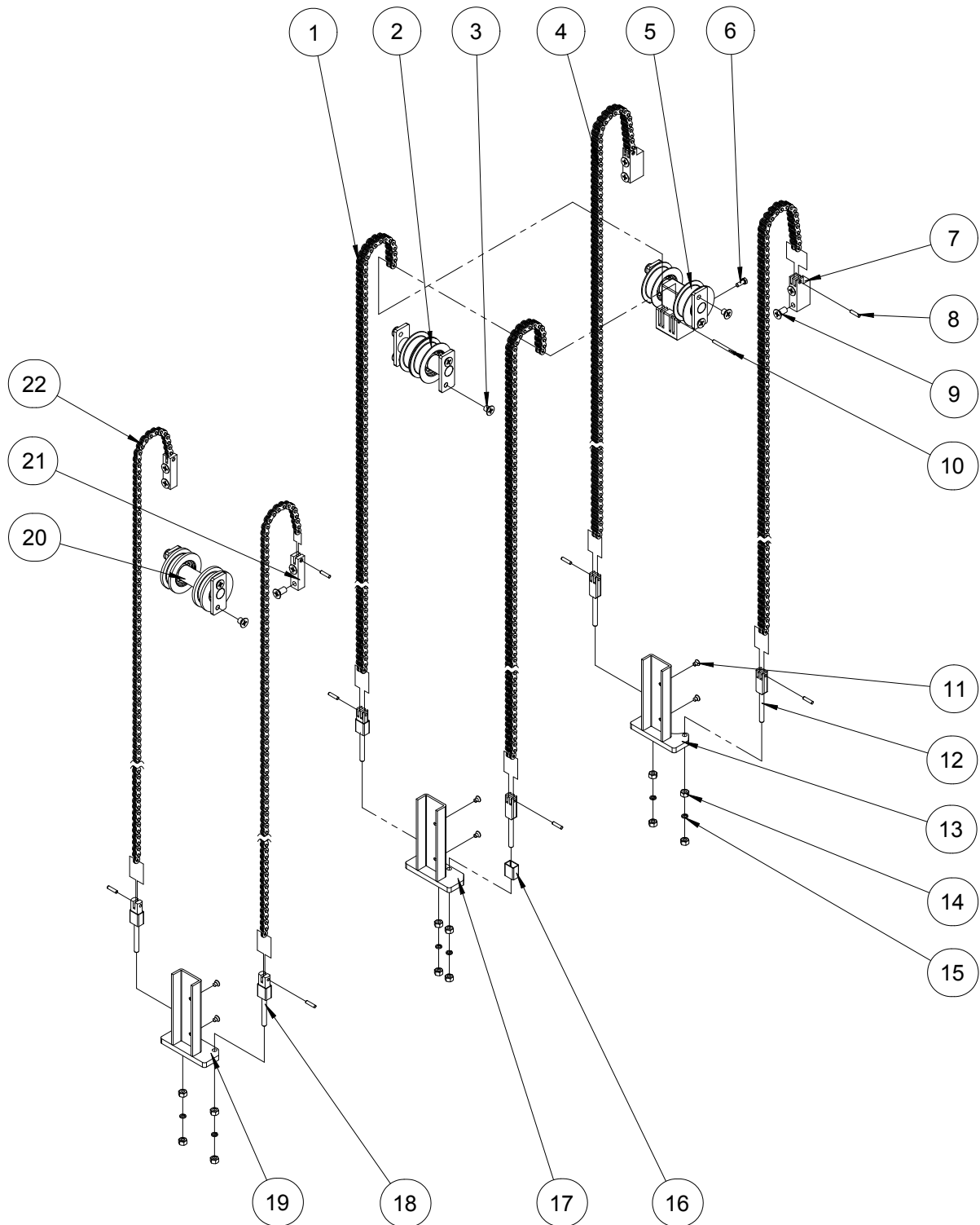
**Figure 2-8 Mast Assembly 2 (GTWY12/14/16-2000)**

Item	Part Number	Description	Qty.	Remark
1	GTWY8S-320006A	Mast 6	1	GTWY12-2000
	GTWY12S-320006A	Mast 8	1	GTWY14-2000
	GTWY16-2000-320206	Mast 6	1	GTWY16-2000
2	GTWY8S-320005A	Mast 5	1	GTWY12-2000
	GTWY12S-320005A	Mast 7	1	GTWY14-2000
	GTWY16-2000-320205	Mast 5	1	GTWY16-2000
3	GTWY8-320018	Block	28	
4	GTWY8-320020	Piece	28	
5	GB/T 96.1-2002	Washer 6	28	
6	GB/T 5285-1985	Screw ST6.3×19 C	28	
7	GTWY8S-320004A	Mast 4	2	GTWY12-2000
	GTWY12S-320004A		2	GTWY14-2000
	GTWY16-2000-320204		2	GTWY16-2000
8	GTWY8S-320003A	Mast 3	2	GTWY12-2000
	GTWY12S-320003A		2	GTWY14-2000
	GTWY16-2000-320203		2	GTWY16-2000
9	GTWY12-1000-320100	Trolley seat assembly (Refer to 2-9)	14	
10	GTWY8S-320002A	Mast 2	1	GTWY12-2000
	GTWY12S-320002A		1	GTWY14-2000
	GTWY16-2000-320202		1	GTWY16-2000
11	GTWY10S-320001A	Mast 1	1	GTWY12-2000
	GTWY12S-320001A		1	GTWY14-2000
	GTWY16-2000-320201		1	GTWY16-2000

**Figure 2-9 Trolley Seat Assembly****Figure 2-9 Trolley Seat Assembly**

Item	Part Number	Description	Qty.	Remark
1	GTWY8-320101	Trolley seat	2	
2	GTWY8-320103	Subsidiary trolley	4	
3	GTWY8-320105	Plate	2	
4	GB/T 846-1985	Screw ST2.9×13 H C	10	
5	GTWY8-320102	Main trolley	2	
6	GTWY8-320104	Bar	1	

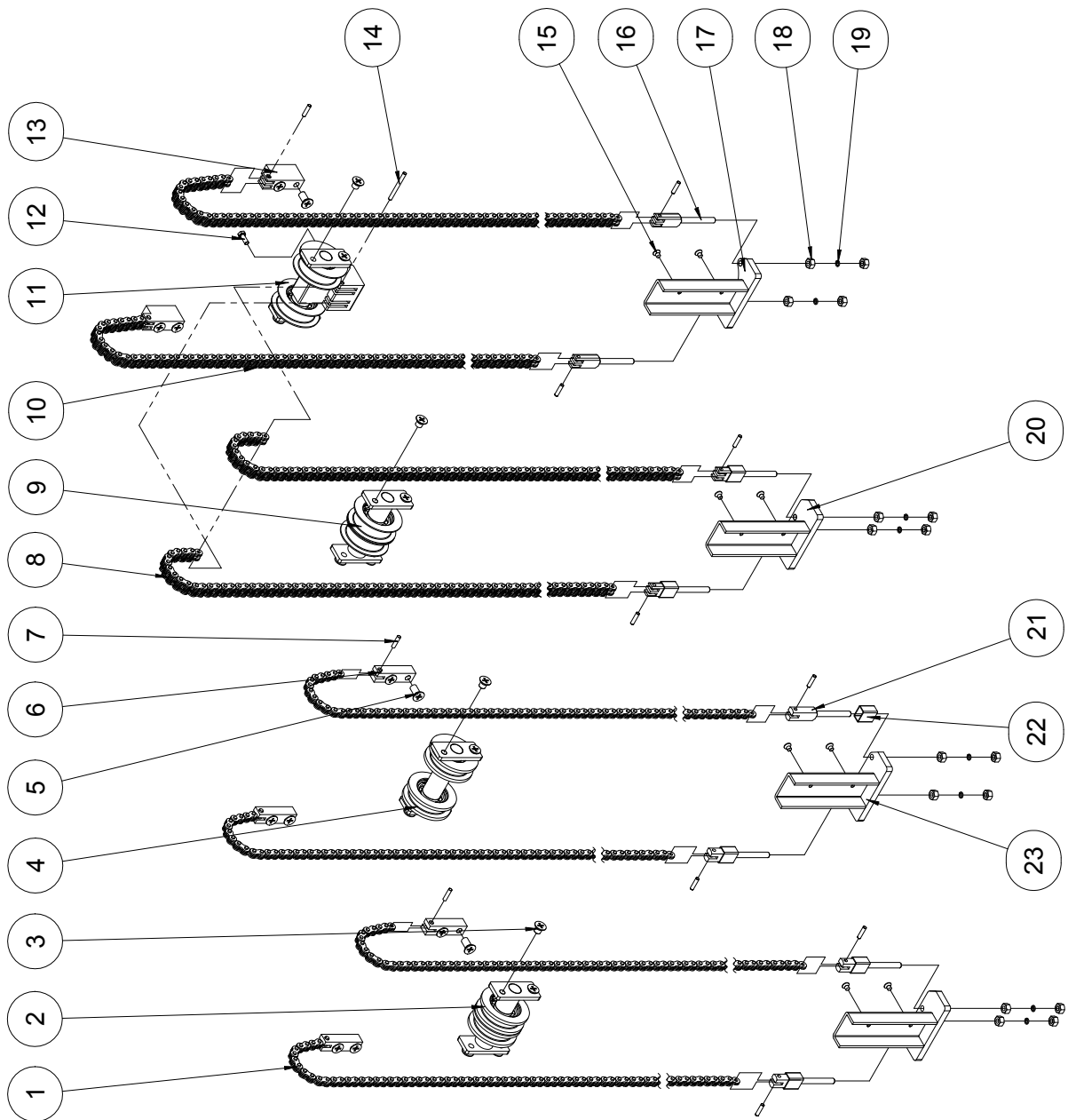
Figure 2-10 Lifting Chain Assembly (GTWY8-2000)



**Figure 2-10 Lifting Chain Assembly (GTWY8-2000)**

Item	Part Number	Description	Qty.	Remark
1	GB6074-1995	LH0844-127	2	
2	GTWY8-320200	3-3 Mast chain wheel assembly (Refer to 2-13)	1	
3	GB/T 819.2-1997	Screw M10×12-H1	12	
4	GB6074-1995	LH0844-129	2	
5	GTWY8-320400	2-2 Mast chain wheel assembly (Refer to 2-14)	1	
6	GB/T 5783-2000	Bolt M6×16	1	
7	GTWY8-320014b	Upper chain terminal (widen)	2	
8	GTWY8-13152	Chain pin	10	
9	GB/T 819.1-2000	Screw M10×20-H1	12	
10	GTWY8-13172	Long chain pin	1	
11	GB/T 819.2-1997	Screw M6×8-H1	6	
12	GTWY8-320015	Lower chain terminal	4	
13	GTWY8-320600	Dragger	1	
14	GB/T6170-2000	Nut M8	12	
15	GB/T 93-1987	Spring washer 8	6	
16	GTWY8-320030	Nylon sheath	4	
17	GTWY8-320700	Dragger 2	1	
18	GTWY8-320017	Lower chain terminal	2	
19	GTWY8-320800	Dragger 3	1	
20	GTWY8-320300	4-4 Mast chain wheel assembly (Refer to 2-15)	1	
21	GTWY8-320016	Upper chain terminal	2	
22	GB6074-1995	LH0822-127	2	

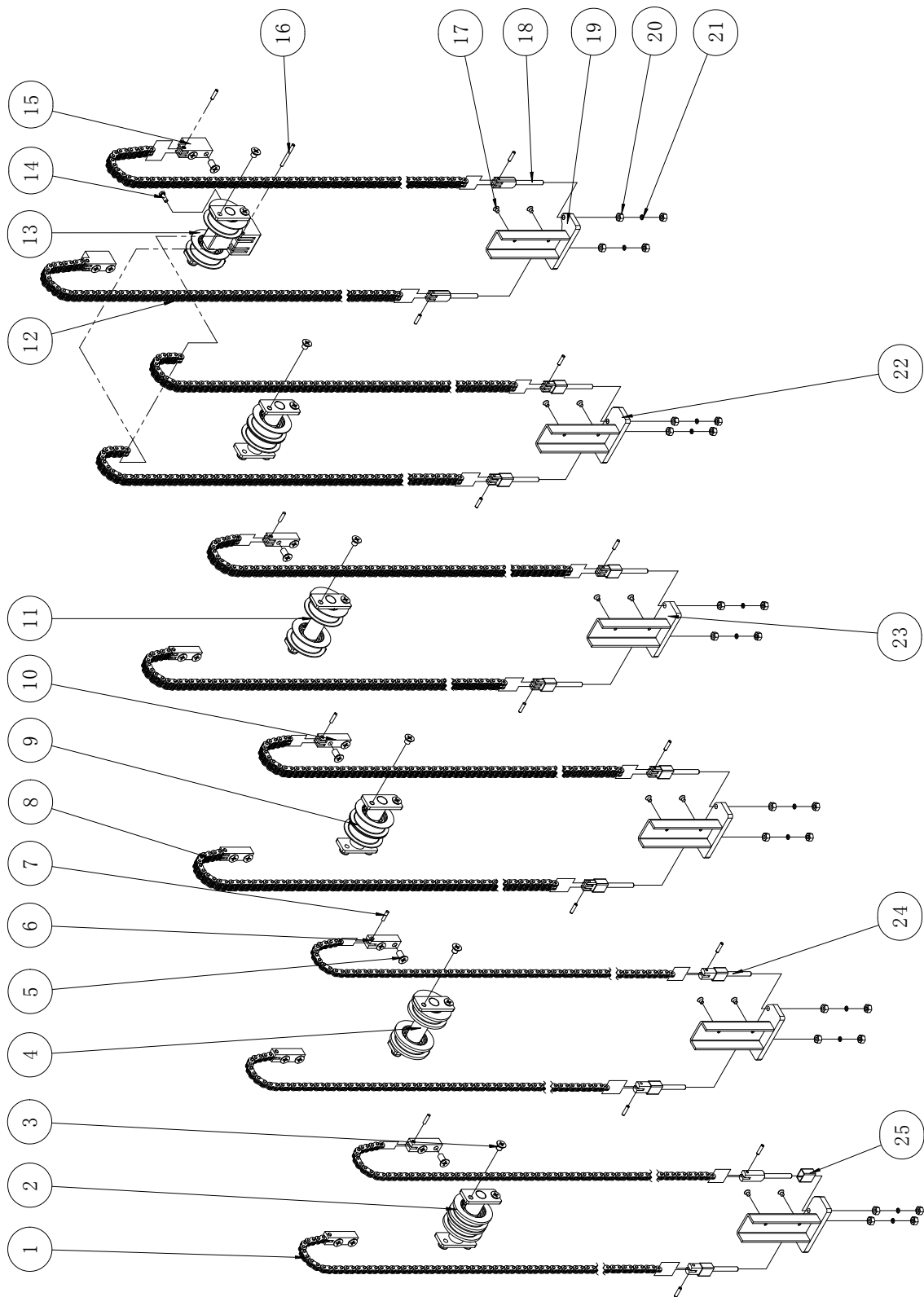
Figure 2-11 Lifting Chain Assembly (GTWY10-2000)



**Figure 2-11 Lifting Chain Assembly (GTWY10-2000)**

Item	Part Number	Description	Qty.	Remark
1	GB6074-1995	LH0822-127	4	
2	GTWY8-320500	5-5 Mast chain wheel assembly (Refer to 2-16)	1	
3	GB/T 819.2-1997	Screw M10×12-H1	16	
4	GTWY8-320300	4-4 Mast chain wheel assembly (Refer to 2-15)	1	
5	GB/T 819.2-1997	Screw M10×20-H1	16	
6	GTWY8-320016	Upper chain terminal	4	
7	GTWY8-13152	Chain pin	14	
8	GB6074-1995	LH0844-127	2	
9	GTWY8-320200	3-3 Mast chain wheel assembly (Refer to 2-13)	1	
10	GB6074-1995	LH0844-129	2	
11	GTWY8-320400	2-2 Mast chain wheel assembly (Refer to 2-14)	1	
12	GB/T 5783-2000	Bolt M6×16	1	
13	GTWY8-320014b	Upper chain terminal (widen)	2	
14	GTWY8-13172	Long chain pin	1	
15	GB/T 819.2-1997	Screw M6×8-H1	8	
16	GTWY8-320015	Lower chain terminal	4	
17	GTWY8-320600	Dragger	1	
18	GB/T6170-2000	Nut M8	16	
19	GB/T 93-1987	Spring washer 8	8	
20	GTWY8-320700	Dragger 2	2	
21	GTWY8-320017	Lower chain terminal	4	
22	GTWY8-320030	Nylon sheath	6	
23	GTWY8-320800	Dragger 3	1	

Figure 2-12 Lifting Chain Assembly (GTWY12/14/16-2000)



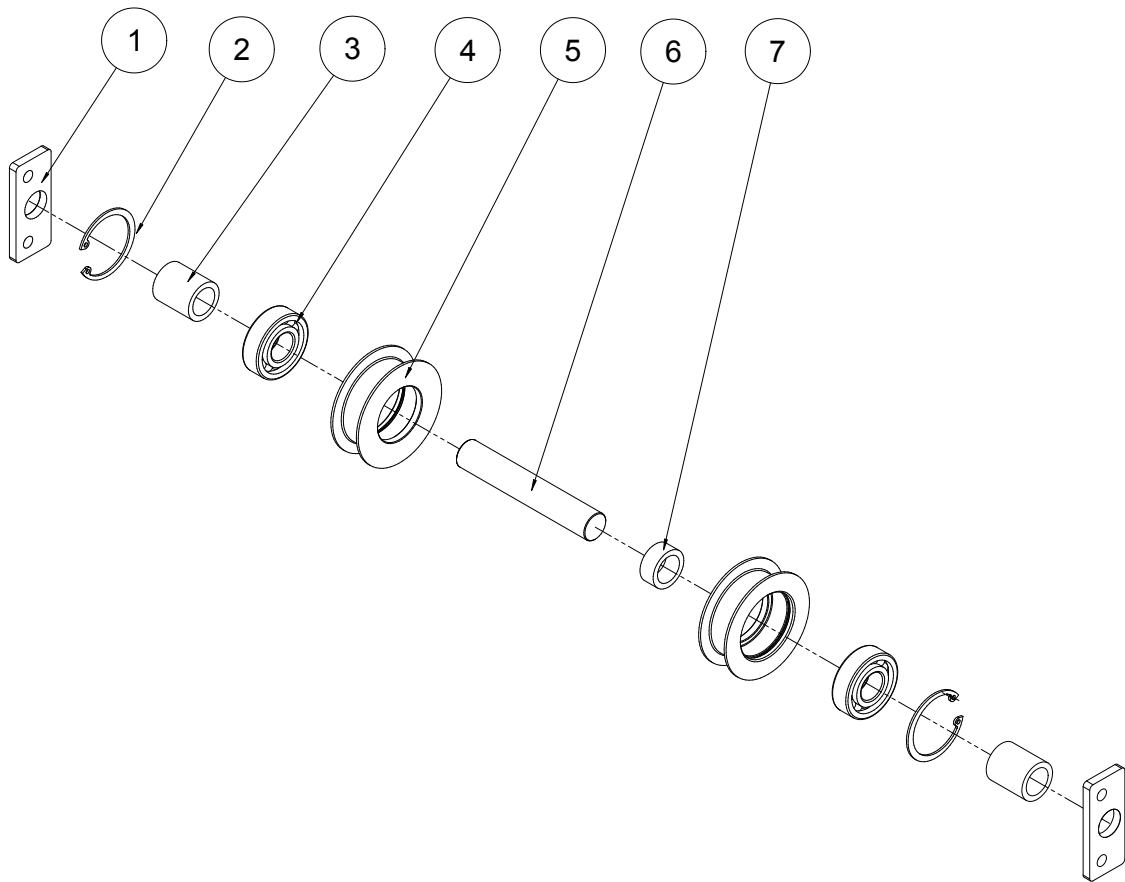
**Figure 2-12 Lifting Chain Assembly (GTWY12/14/16-2000)**

Item	Part Number	Description	Qty.	Remark
1	GB6074-1995	LH0822-127	4	GTWY12-2000
		LH0822-147	4	GTWY14-2000
		LH0822-169	4	GTWY16-2000
2	GTWY8-320500	5-5 Mast chain wheel assembly (Refer to 2-16)	1	
3	GB/T 819.2-1997	Screw M10×12-H1	24	
4	GTWY8-320300	4-4 Mast chain wheel assembly (Refer to 2-15)	1	
5	GB/T 819.2-1997	Screw M10×20-H1	24	
6	GTWY8-320016	Upper chain terminal	4	
7	GTWY8-13152	Chain pin	22	
8	GB6074-1995	LH0844-127	6	GTWY12-2000
		LH0844-147	6	GTWY14-2000
		LH0844-169	6	GTWY16-2000
9	GTWY8-320200	3-3 Mast chain wheel assembly (Refer to 2-13)	2	
10	GTWY8-320014	Upper Chain Terminal	4	
11	GTWY10-320100	4-4 Mast chain wheel assembly (Refer to 2-17)	1	
12	GB6074-1995	LH0844-129	2	GTWY12-2000
		LH0844-149	2	GTWY14-2000
		LH0844-171	2	GTWY16-2000
13	GTWY8-320400	2-2 Mast chain wheel assembly (Refer to 2-14)	1	
14	GB/T 5783-2000	Bolt M6×16	1	
15	GTWY8-320014b	Upper chain terminal (widen)	2	
16	GTWY8-13172	Long chain pin	1	
17	GB/T 819.2-1997	Screw M6×8-H1	12	
18	GTWY8-320015	Lower chain terminal	8	
19	GTWY8-320600	Dragger	1	
20	GB/T6170-2000	Nut M8	24	



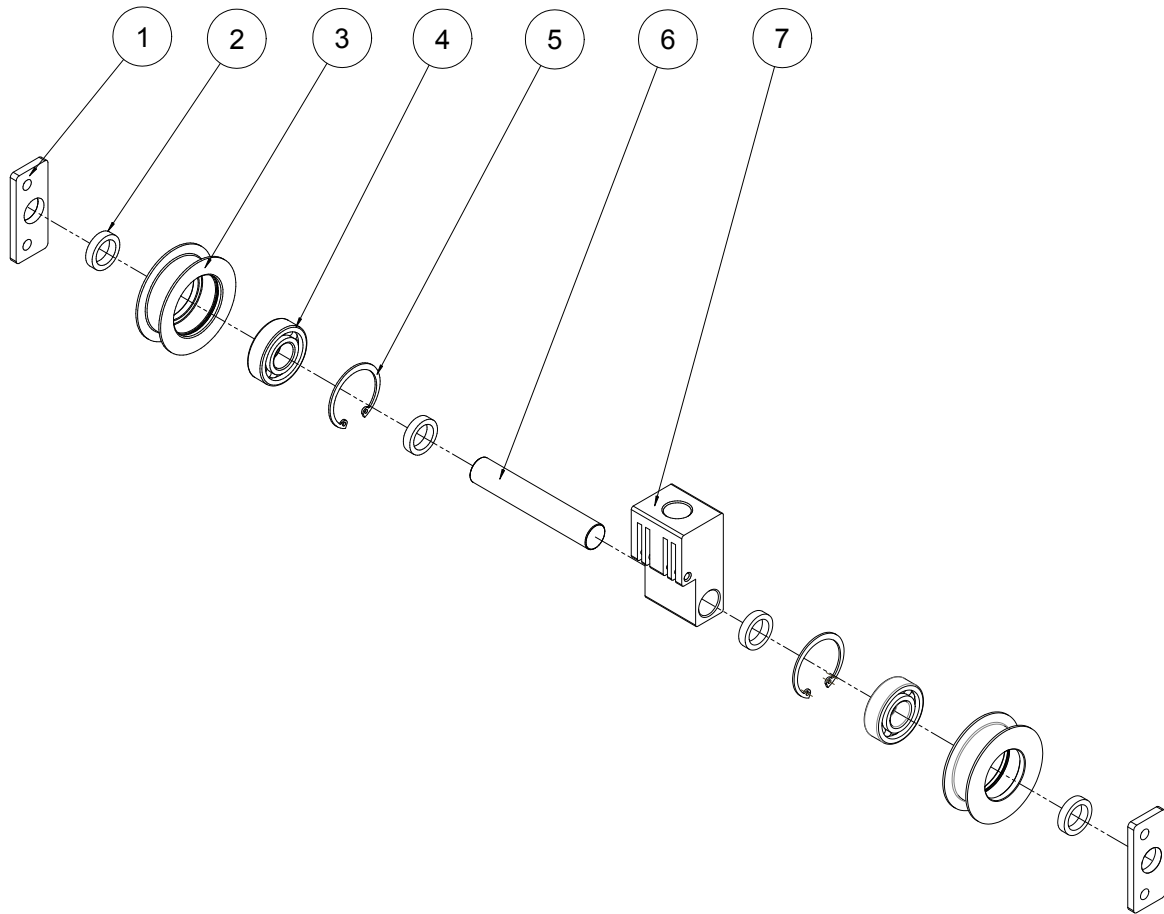
**Figure 2-12 Lifting Chain Assembly (GTWY12/14/16-2000)**

Item	Part Number	Description	Qty.	Remark
21	GB/T 93-1987	Spring washer 8	12	
22	GTWY8-320700	Dragger 2	3	
23	GTWY8-320800	Dragger 3	2	
24	GTWY8-320017	Lower chain terminal	4	
25	GTWY8-320030	Nylon sheath	10	

**Figure 2-13 3-3 Mast Chain Wheel Assembly****Figure 2-13 3-3 Mast Chain Wheel Assembly**

Item	Part Number	Description	Qty.	Remark
1	GTWY8-320201	Chain wheel supporting plate	2	
2	GB/T 893.1-1986	Circlips for holes 47	2	
3	GTWY8-320205	Bushing (2)	2	
4	GB/T 276-1994	Bearing 6204	2	
5	GTWY8-320203	Chain wheel	2	
6	GTWY8-320202	Chain wheel rod	1	
7	GTWY8-320204	Bushing (1)	1	

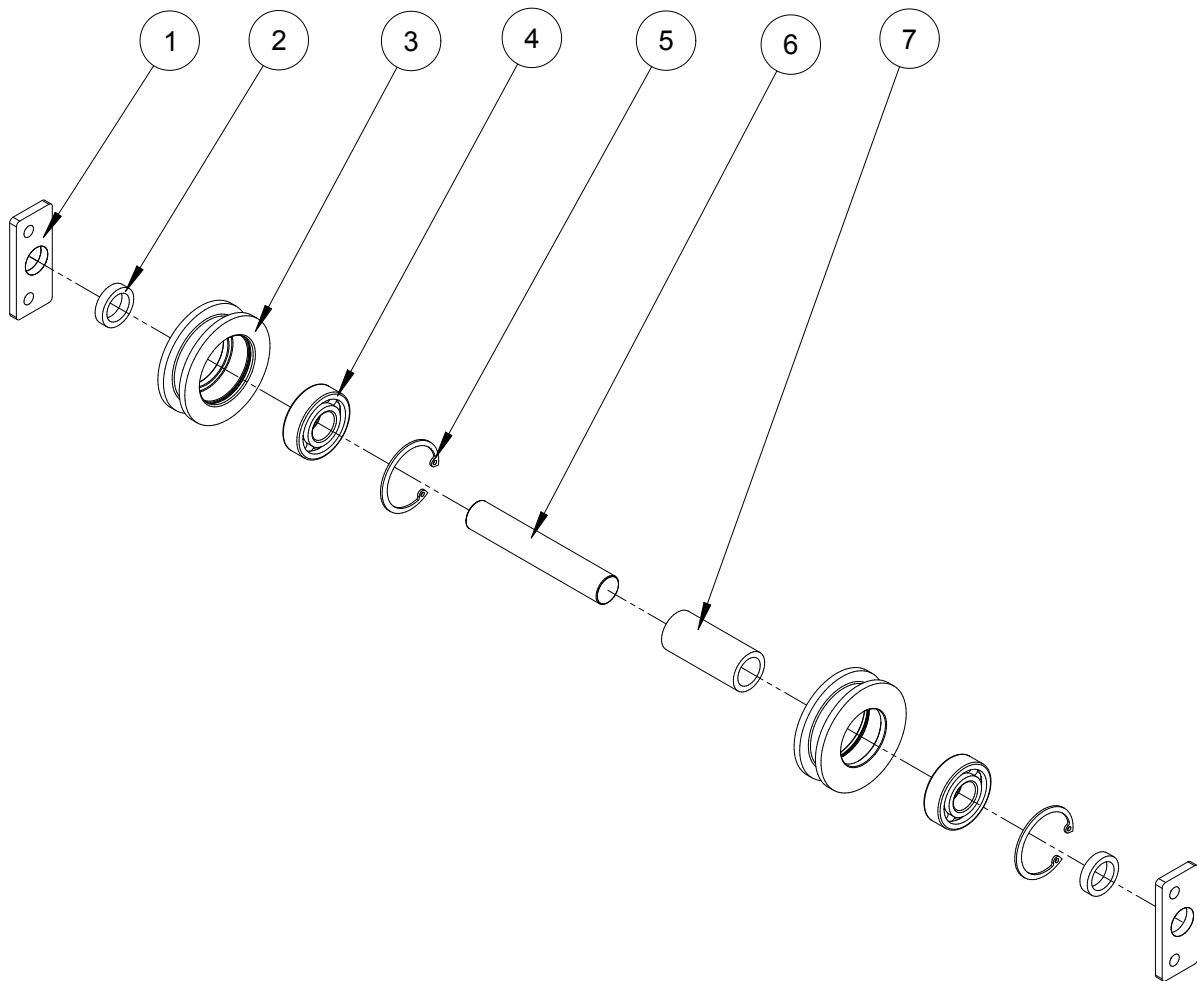
**Figure 2-14 2-2 Mast Chain Wheel Assembly**



**Figure 2-14 2-2 Mast Chain Wheel Assembly**

Item	Part Number	Description	Qty.	Remark
1	GTWY8-320201	Chain wheel supporting plate	2	
2	GTWY8-320302	Bushing (4)	4	
3	GTWY8-320203	Chain wheel	2	
4	GB/T 276-1994	Bearing 6204	2	
5	GB/T 893.1-1986	Circlips for holes 47	2	
6	GTWY8-320202	Chain wheel rod	1	
7	GTWY8-320401	Chain terminal	1	

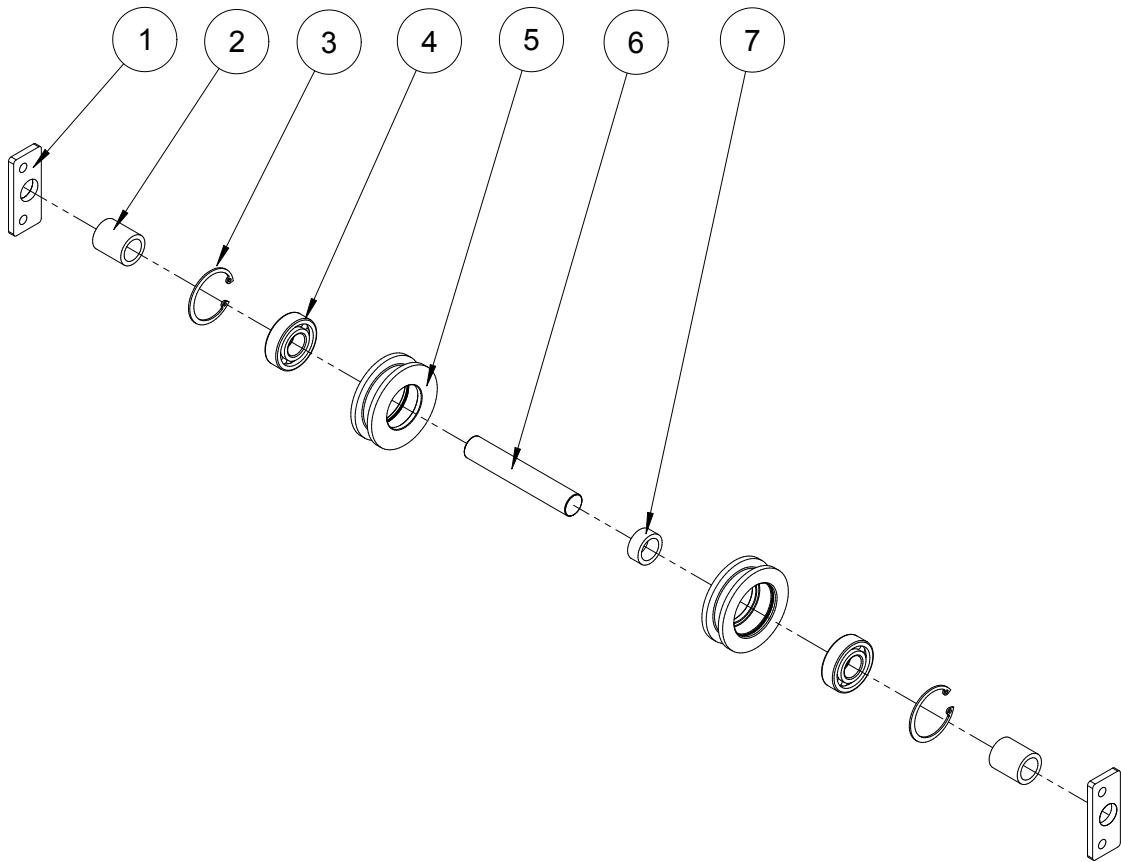
**Figure 2-15 4-4 Mast Chain Wheel Assembly**



**Figure 2-15 4-4 Mast Chain Wheel Assembly**

Item	Part Number	Description	Qty.	Remark
1	GTWY8-320201	Chain wheel supporting plate	2	
2	GTWY8-320302	Bushing (4)	2	
3	GTWY8-320303	Chain wheel	2	
4	GB/T 276-1994	Bearing 6204	2	
5	GB/T 893.1-1986	Circlips for holes 47	2	
6	GTWY8-320202	Chain wheel rod	1	
7	GTWY8-320301	Bushing (3)	1	

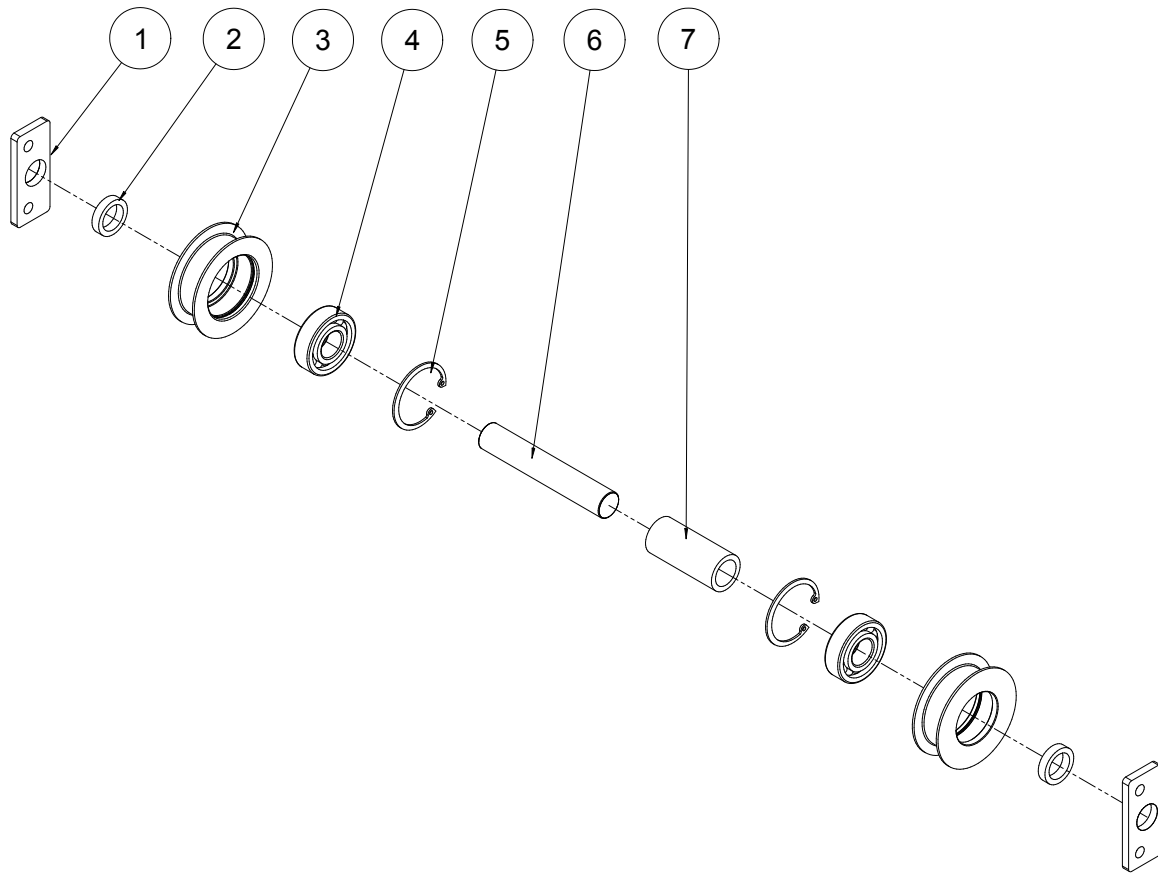
**Figure 2-16 5-5 Mast Chain Wheel Assembly (GTWY10/12/14/16-2000)**



**Figure 2-16 5-5 Mast Chain Wheel Assembly (GTWY10/12/14/16-2000)**

Item	Part Number	Description	Qty.	Remark
1	GTWY8-320201	Chain wheel supporting plate	2	
2	GTWY8-320205	Bushing (2)	2	
3	GB/T 893.1-1986	Circlips for holes 47	2	
4	GB/T 276-1994	Bearing 6204	2	
5	GTWY8-320303	Chain wheel	2	
6	GTWY8-320202	Chain wheel rod	1	
7	GTWY8-320204	Bushing (1)	1	

**Figure 2-17 4-4 Mast Chain Wheel Assembly (GTWY12/14/16-2000)**



**Figure 2-17 4-4 Mast Chain Wheel Assembly (GTWY12/14/16-2000)**

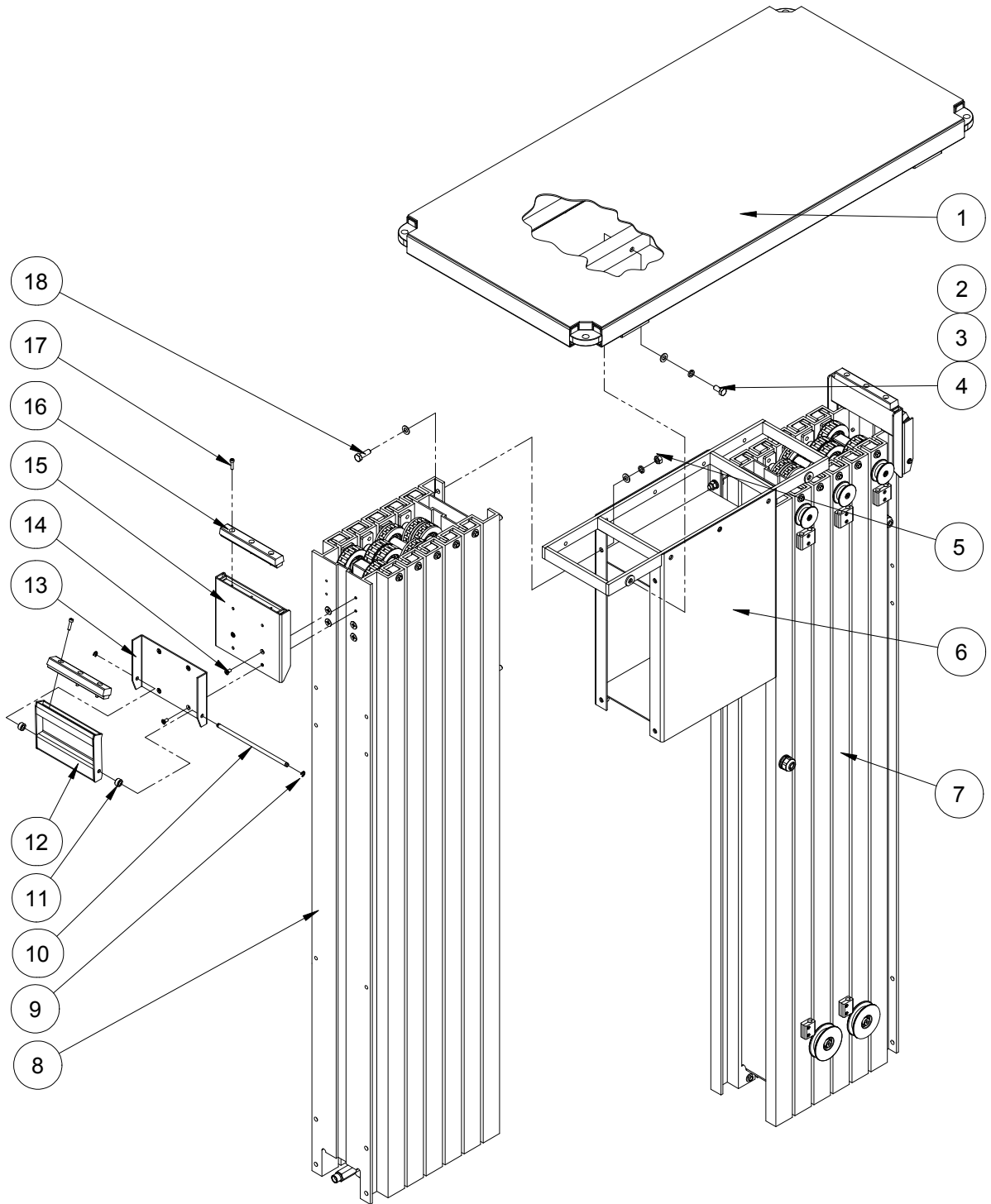
Item	Part Number	Description	Qty.	Remark
1	GTWY8-320201	Chain wheel supporting plate	2	
2	GTWY8-320302	Bushing (4)	2	
3	GTWY8-320203	Chain wheel	2	
4	GB/T 276-1994	Bearing 6204	2	
5	GB/T 893.1-1986	Circlips for holes 47	2	
6	GTWY8-320202	Chain wheel rod	1	
7	GTWY8-320301	Bushing (3)	1	



# Platform

## Section 3

Figure 3-1 Platform and Mast Installation





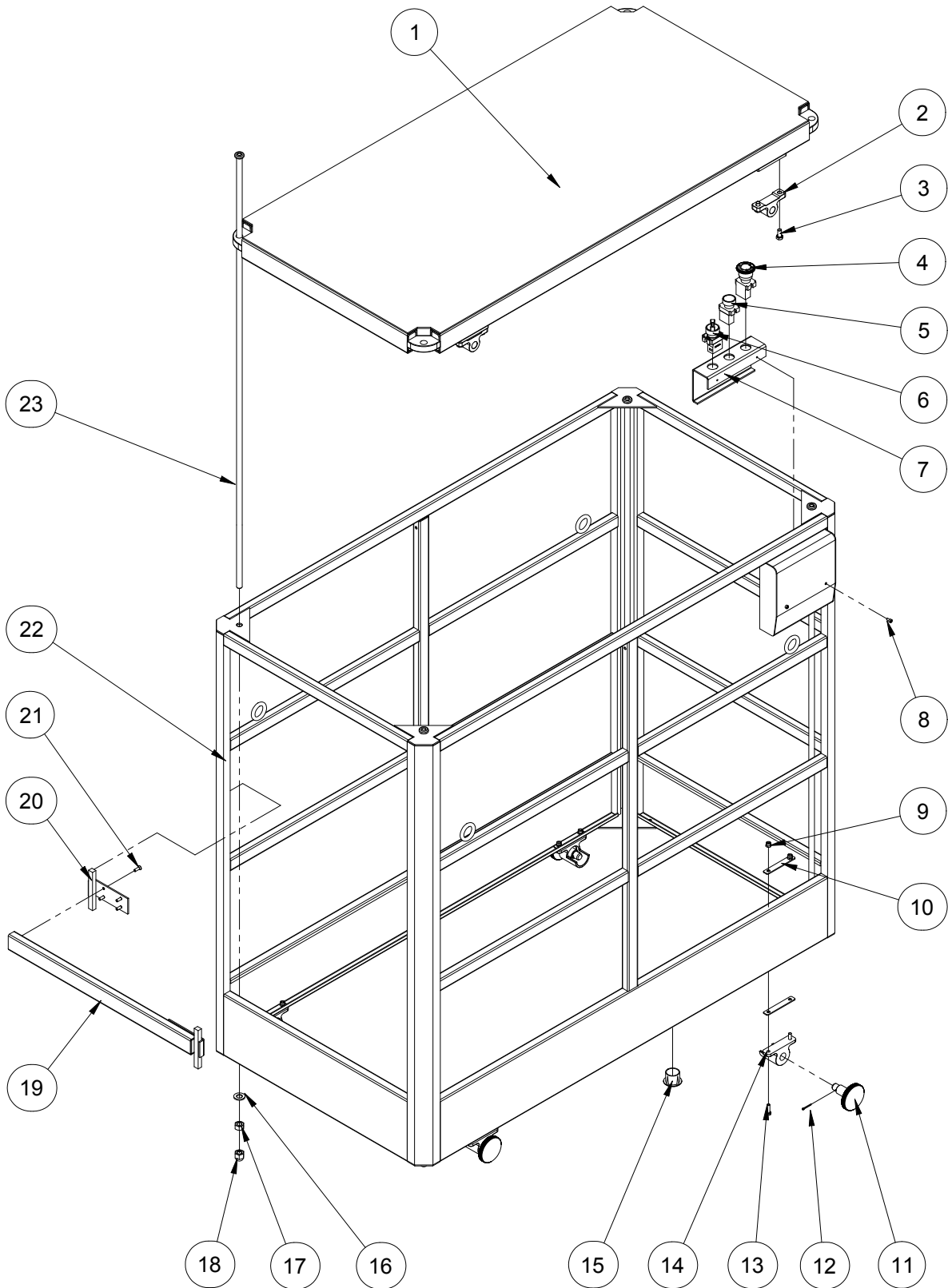
**Figure 3-1 Platform and Mast Installation**

Item	Part Number	Description	Qty.	Remark
1	GTWY8S-420100	Platform main body	1	GTWY8/10-2000
	GTWY10S-420100		1	GTWY12/14/16-2000
2	GB/T 5783-2000	Bolt M10×20	10	
3	GB/T 93-1987	Spring washer 10	18	
4	GB/T 97.1-2002	Washer 10	18	
5	GB/T 6170-2000	Nut M10	8	
6	GTWY6S-420700	Platform bracket	1	GTWY8-2000
	GTWY8S-420700		1	GTWY10-2000
	GTWY10S-420700		1	GTWY12/14/16-2000
7	GTWY8-2000-320100	Mast assembly 1 (Refer to 2-3)	1	GTWY8-2000AC
	GTWY8-2000-321100		1	GTWY8-2000DC
	GTWY10-2000-320100	Mast assembly 1 (Refer to 2-4)	1	GTWY10-2000AC
	GTWY10-2000-321100		1	GTWY10-2000DC
	GTWY12-2000-320100	Mast assembly 1 (Refer to 2-5)	1	GTWY12-2000AC
	GTWY12-2000-321100		1	GTWY12-2000DC
	GTWY14-2000-320100	Mast assembly 1 (Refer to 2-5)	1	GTWY14-2000AC
	GTWY14-2000-321100		1	GTWY14-2000DC
	GTWY16-2000-320100	Mast assembly 1 (Refer to 2-5)	1	GTWY16-2000AC
	GTWY16-2000-321100		1	GTWY16-2000DC
8	GTWY8-2000-320200	Mast assembly 2 (Refer to 2-6)	1	GTWY8-2000
	GTWY10-2000-320200	Mast assembly 2 (Refer to 2-7)	1	GTWY10-2000
	GTWY12-2000-320200	Mast assembly 2 (Refer to 2-8)	1	GTWY12-2000
	GTWY14-2000-320200	Mast assembly 2 (Refer to 2-8)	1	GTWY14-2000
	GTWY16-2000-320200	Mast assembly 2 (Refer to 2-8)	1	GTWY16-2000

**Figure 3-1 Platform and Mast Installation**

Item	Part Number	Description	Qty.	Remark
9	GB/T 896-1986	Circlip 6	4	
10	GTWY8S-840004	Pin	2	
11	GTWY8S-840003	Pin bushing	4	
12	GTWY8S-840200	Front plate weldment	2	
13	GTWY8S-840002	Middle plate	2	
14	GB/T 819.1-2000	Screw M6×12-H	12	
15	GTWY8S-840100	Back pate weldment	2	
16	GTWY8S-840001	Rubber mat	4	
17	GB/T 70.1-2000	Screw M5×20	12	
18	GB/T 5783-2000	Bolt M10×30	8	

Figure 3-2 Platform Assembly



**Figure3-2 Platform Assembly**

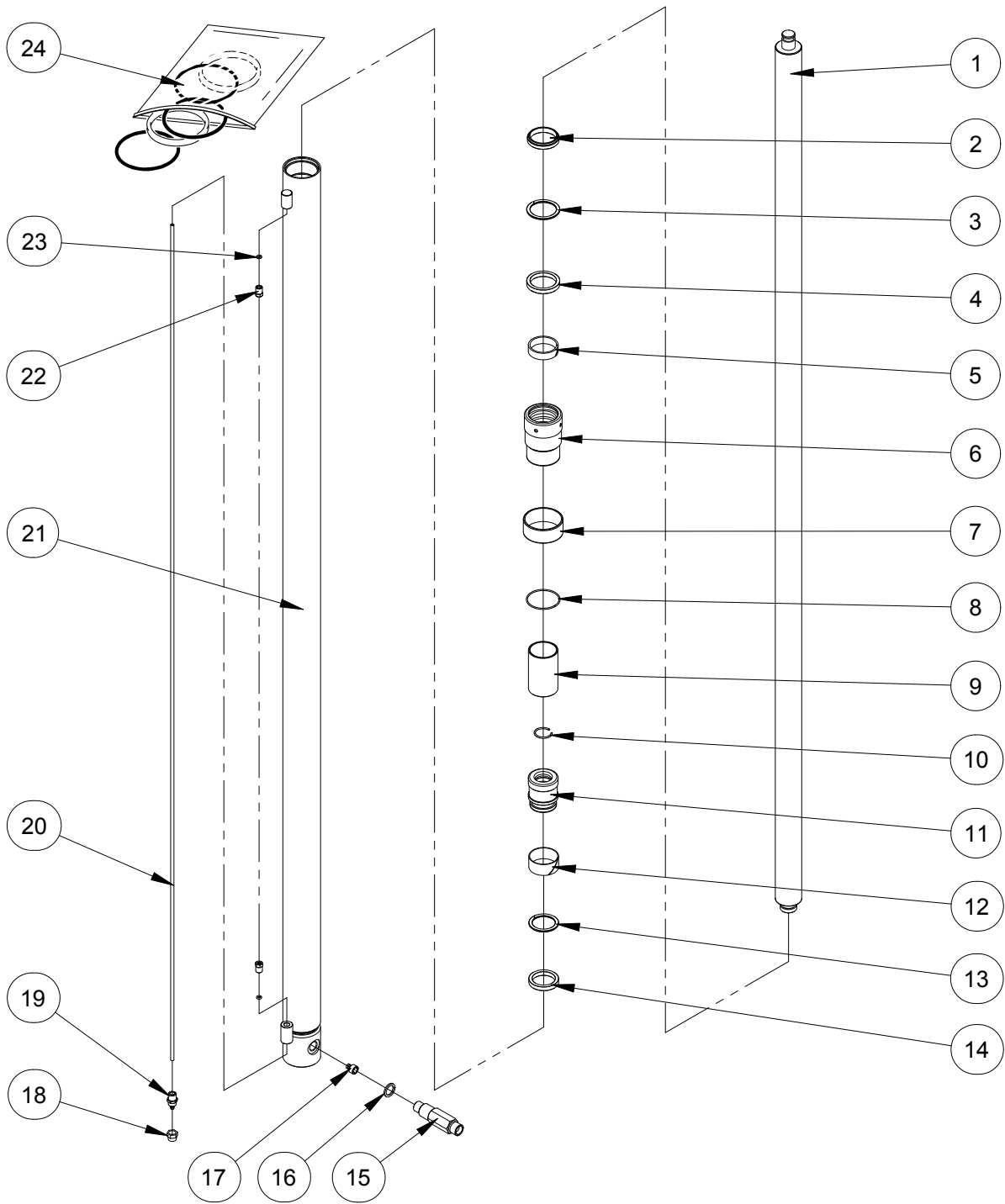
Item	Part Number	Description	Qty.	Remark
1	GTWY8S-420100	Platform Main Body	1	GTWY8/10-2000
	GTWY10S-420100		1	GTWY12/14/16-2000
2	GTWY8S-420804	Connecting Seat (2)	4	
3	GB/T 5783-2000	Bolt M8×16	8	
4	6909-0501140-01	Emergency Stop Button	1	
5	6901-0201113-01	Button (Green)	1	
6	6909-0301322-01	Select Switch	1	
7	GTWY8S-420320	Plate	1	
8	GB/T 70.1-2000	Screw M4×8	2	
9	GB/T 6182-2000	Nut M6	8	
10	GTWY8S-420803	Plate	8	
11	GTWY8S-420801	Screw	4	
12	GB/T 91-2000	Pin 2.5×20	4	
13	GB/T 5783-2000	Bolt M6×20	8	
14	GTWY8S-420802	Connecting Seat (1)	4	
15	GTWY10-2000-420001	Sheath	1	
16	GB/T 97.1-2002	Washer 12	4	
17	GB/T 802-1988	Nut M12	4	
18	GB/T 6170-2000	Nut M12	4	
19	GTWY10-2000-420400	Baffle Weldment	1	
20	GTWY8S-420500	Block	2	
21	GB/T 70.3-2000	Screw M5×12	8	
22	GTWY10-2000-420200	Platform Hurdle	1	GTWY8/10-2000
	GTWY12-2000-420200		1	GTWY12/14/16-2000
23	GTWY10-2000-420600	Guiding Staff	4	



# Hydraulic System

## Section 4

Figure 4-1 Lift Cylinder Assembly



**Figure 4-1 Lift Cylinder Assembly**

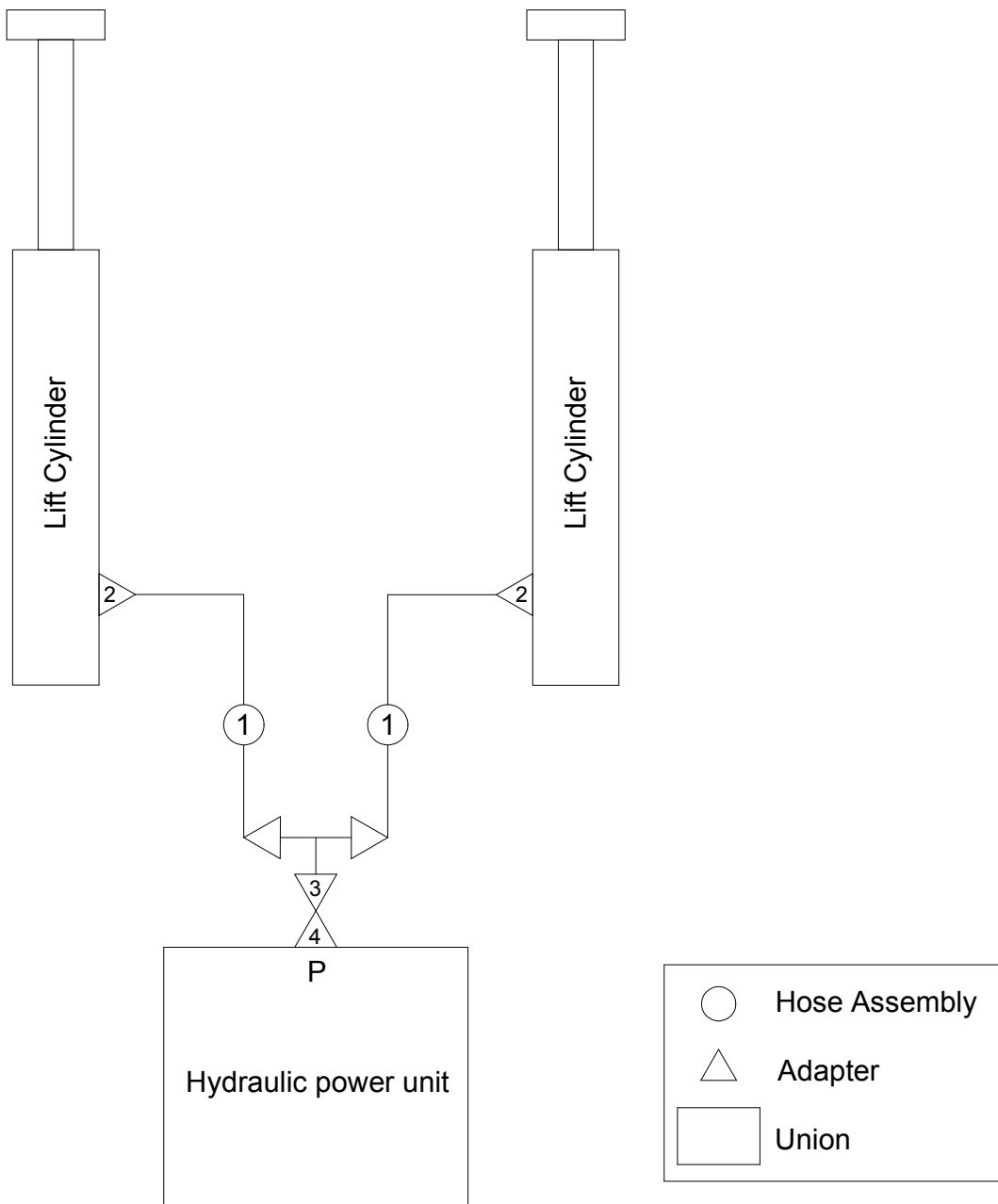
Item	Part Number	Description	Qty.	Remark
1	ZJ-DL-DG(SG)-03(1449)	Piston rod	1	GTWY8/10/12-2000
	ZJ-DL-DG(SG)-03(1679)		1	GTWY14-2000
	ZJ-DL-DG(SG)-03(1715)			GTWY16-2000
2	DH 40	Dustproof circle d40	1	
3	40X50X3	Circlip40	1	
4	USH 40	U-Circle 40×50×6	1	
5	12X2.5	Supporting loop	1	
6	ZJ-DL-DG(SG)-04	Guide loop	1	
7	ZJ-DL-DG(SG)-07	Plastic loop	1	
8	GB/T 3452.1-2005	O-Circle 42.5×3.55	1	
9	ZJ-DL-DG(SG)-02(62)	Bushing	1	GTWY8/10/12-2000
	ZJ-DL-DG(SG)-02(122)		1	GTWY14-2000
	ZJ-DL-DG(SG)-02(122)		1	GTWY16-2000
10	GB/T 895.2-1986	Circlip 25	1	
11	ZJ-DL-OPK-04	Piston	1	
12	20X2.5	Supporting loop	1	
13	35X45X2	Circlip35	1	
14	USH-35	Pressurize loop	1	
15	GTWY10-17013B	Cylinder fitting	1	
16	JB/T982-1977	Gasket 16	1	
17	5806-01000300-01	Explosion-safe valve	1	
18	TYGJT-302	Tie-in Nut	1	
19	ZJ-DL-DG(SG)-06	Low return oil nut	1	
20	5X3.5(1350)	Thin steel tube	1	GTWY8/10/12-2000
	5X3.5(1580)		1	GTWY14-2000
	5X3.5(1865)		1	GTWY16-2000

**Figure 4-1 Lift Cylinder Assembly**

Item	Part Number	Description	Qty.	Remark
21	ZJ-DL-DG(SG)-01(1415)	Cylinder	1	GTWY8/10/12-2000
	ZJ-DL-DG(SG)-01(1645)		1	GTWY14-2000
	ZJ-DL-DG(SG)-01(1930)		1	GTWY16-2000
22	ZJ-DL-DG(SG)-05	Up rurn oil nut	1	
23	GB/T 3452.1-2005	O-Circle 4.5X1.8	2	
24	ZJ-DL-DG(SG)-00	Seal kit	1	



**Figure 4-2 Hydraulic Hoses and Fittings**



**Figure 4-2 Hydraulic Hoses and Fittings**

Item	Part Number	Description	Qty.	Remark
1	1SN06-M21513-04-16/M 21593-04-18-1300	Lift cylinder hose assembly	2	
2	GE12LM16×1.5EDL92	Straight fitting	2	
3	ET10L	Elbow	1	
4	GE10LR3/8EDOMD	Straight fitting	1	